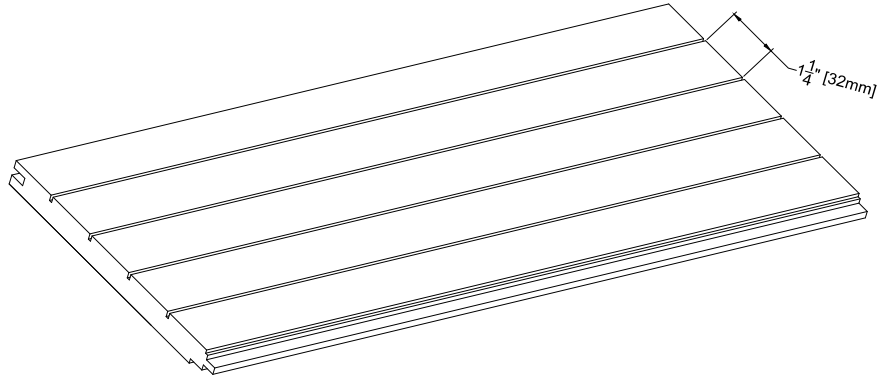
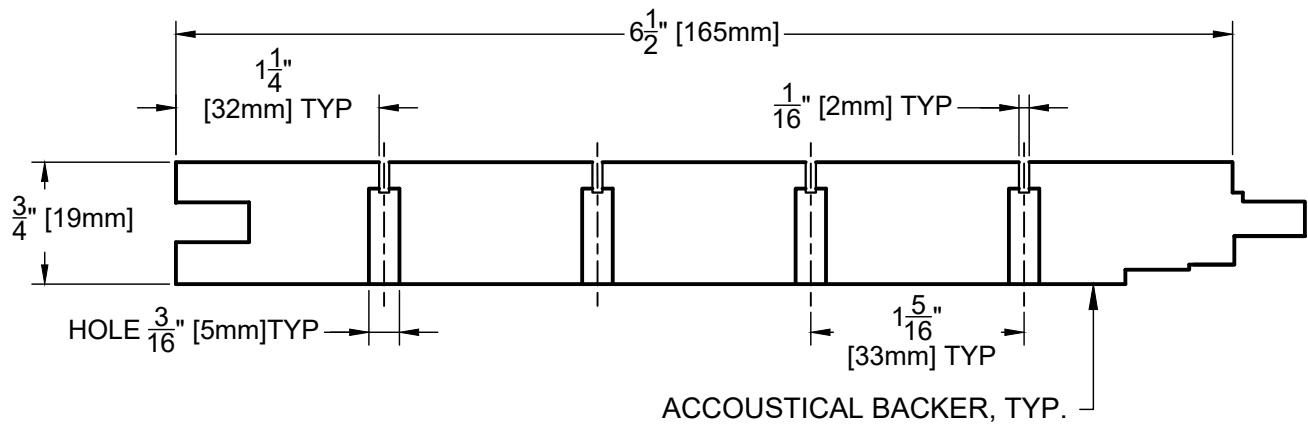


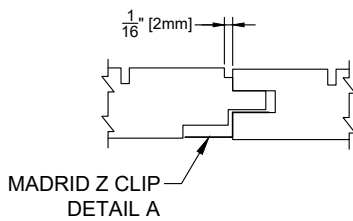
GB-1



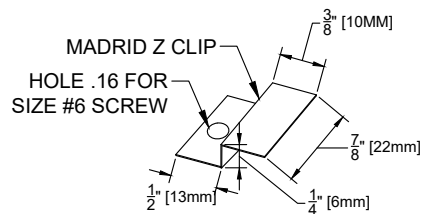
ISOMETRIC VIEW



PROFILE VIEW



CONNECTION VIEW



DETAIL A



MADRID
7800 INDUSTRY AVENUE
PICO RIVERA, CA 90660
WWW.MADRIDINC.COM

DRAWING TITLE:

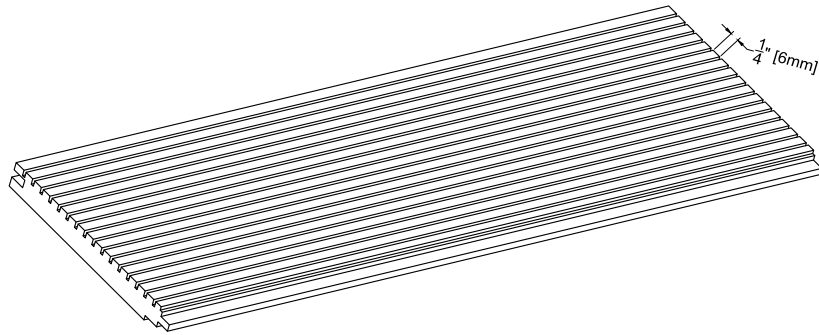
MADRID GROOVE AND BORE PANEL - GB-1

GROOVE AND BORE 6 1/2" NET FACE

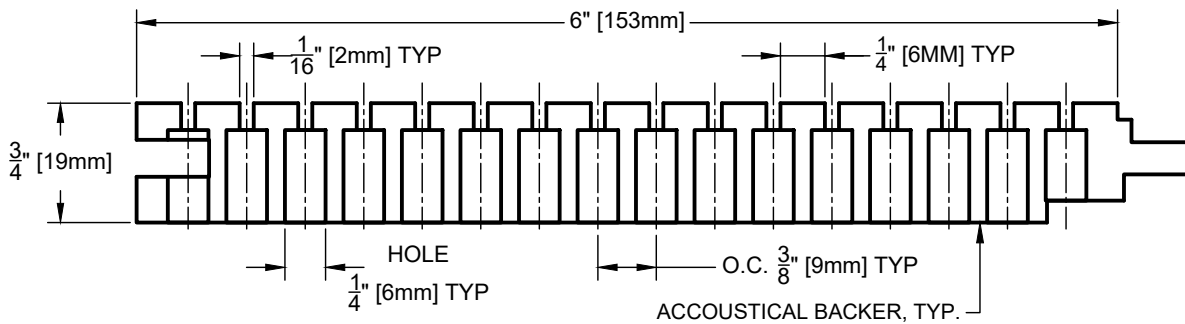
DWG NO.:

1 OF 1

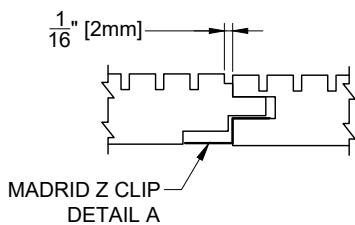
GB-2



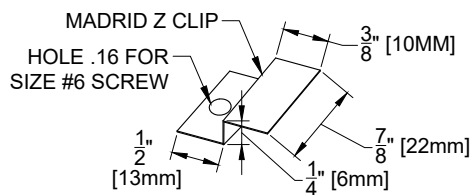
ISOMETRIC VIEW



PROFILE VIEW



CONNECTION VIEW



DETAIL A



MADRID
7800 INDUSTRY AVENUE
PICO RIVERA, CA 90660
WWW.MADRIDINC.COM

DRAWING TITLE:

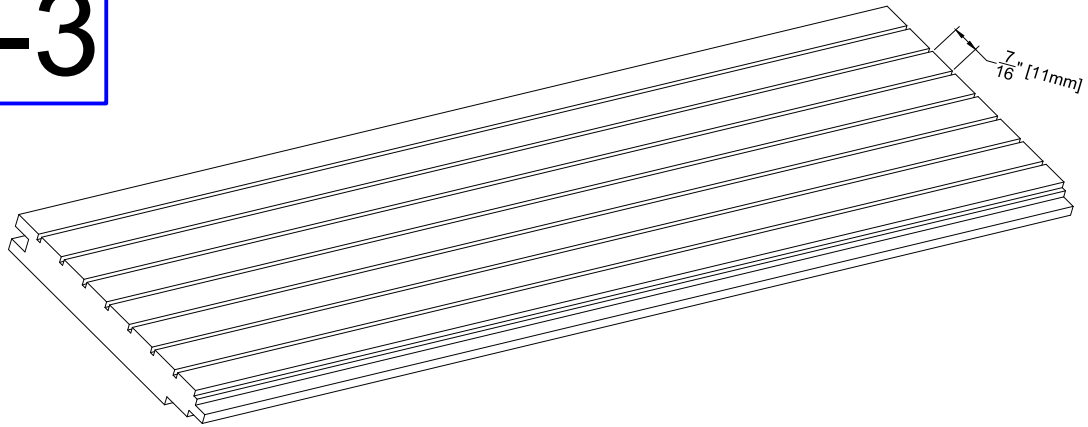
MADRID GROOVE AND BORE PANEL - GB-2

GROOVE AND BORE 6" NET FACE

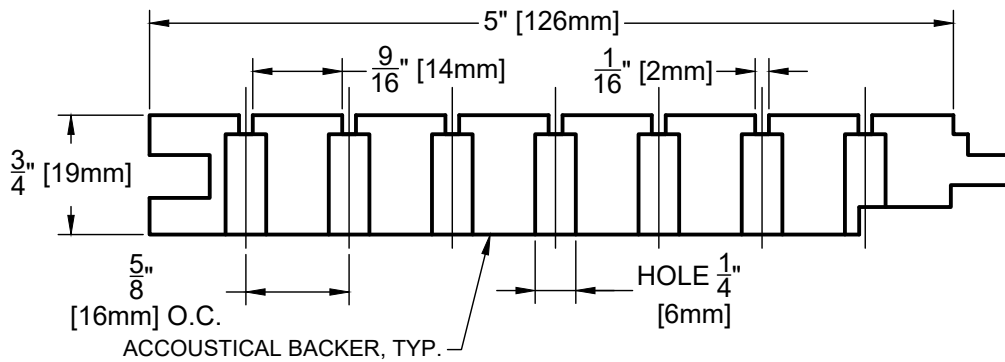
DWG NO.:

1 OF 1

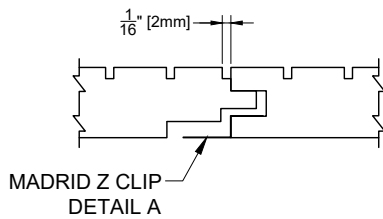
GB-3



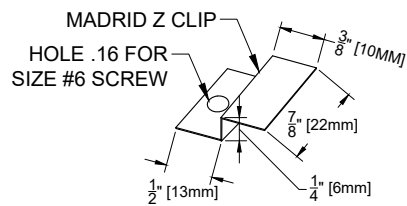
ISOMETRIC VIEW



PROFILE VIEW



CONNECTION VIEW



DETAIL A



MADRID
7800 INDUSTRY AVENUE
PICO RIVERA, CA 90660
WWW.MADRIDINC.COM

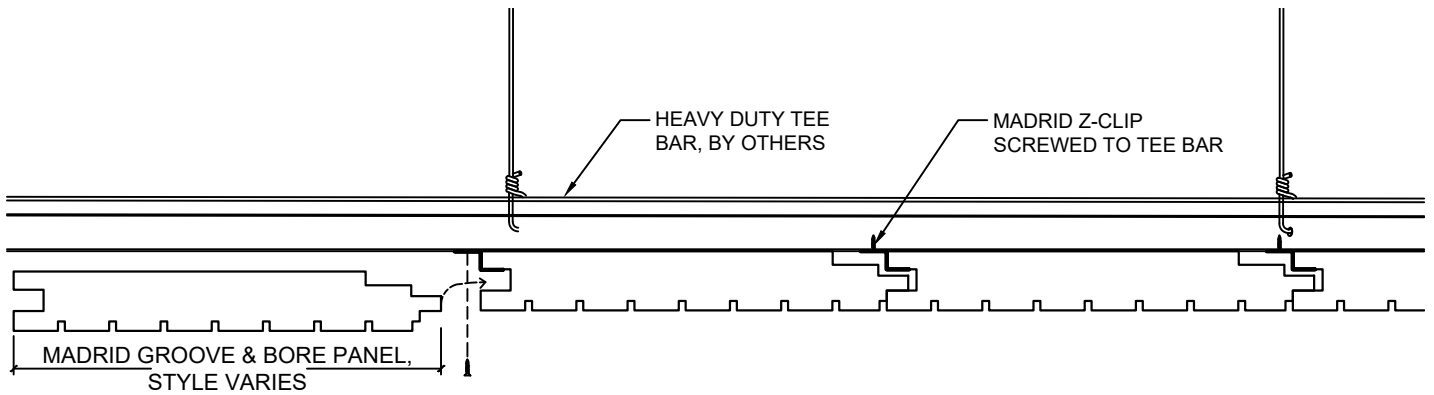
DRAWING TITLE:

MADRID GROOVE AND BORE PANEL - GB-3

GROOVE AND BORE 5" NET FACE

DWG NO.:

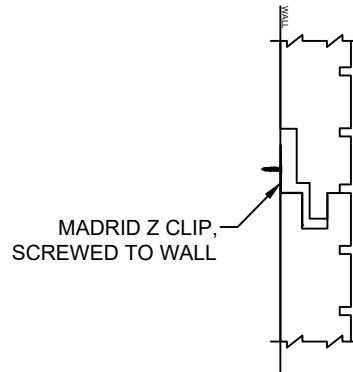
1 OF 1



ELEVATION VIEW



DETAIL - MADRID Z-CLIP



Z-CLIP CONNECTION VIEW



MADRID
 7800 INDUSTRY AVENUE
 PICO RIVERA, CA 90660
 WWW.MADRIDINC.COM

DRAWING TITLE:

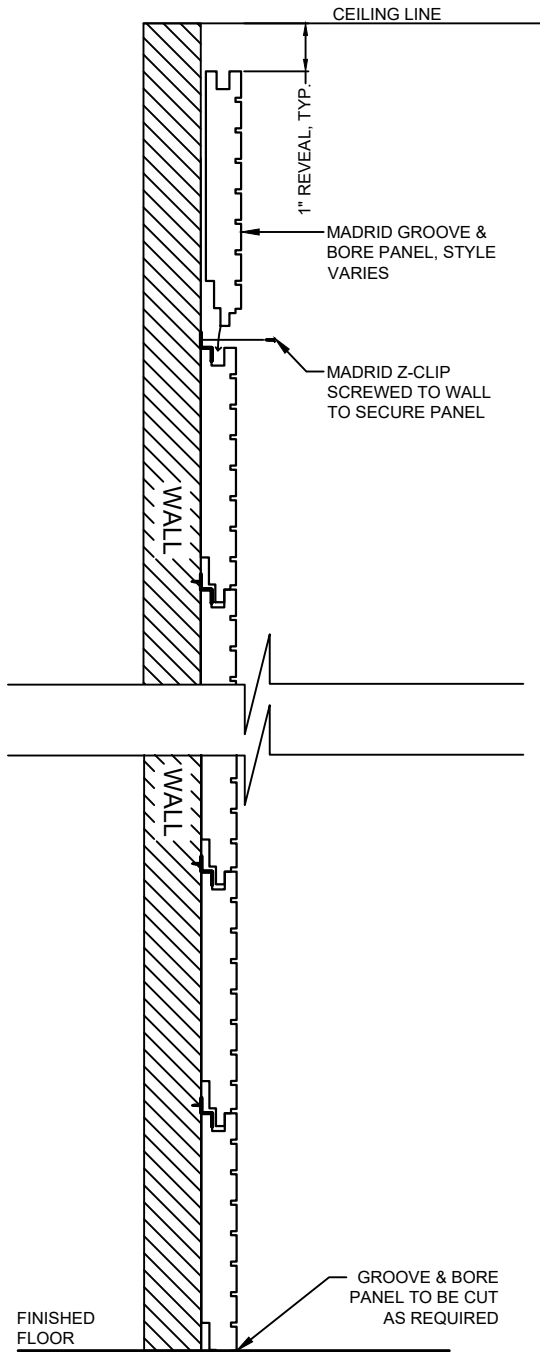
GROOVE & BORE PANEL - CEILING INSTALLATION GUIDE

GROOVE & BORE PANEL

DWG NO.:

A1.0

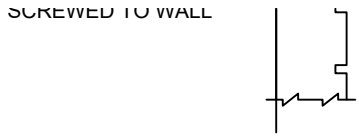
THIS DOCUMENT CONTAINS CONFIDENTIAL AND PROPRIETARY INFORMATION. ALL RECIPIENTS OF THIS DOCUMENT ARE TO PROTECT THE OWNERS DATA FROM USE BY OR TRANSFER TO NON-AUTHORIZED PARTIES BY LEGAL MEANS POSSIBLE. COPYRIGHT © 2023



PROFILE VIEW



DETAIL - MADRID Z-CLIP



Z-CLIP CONNECTION VIEW

GROOVE & BORE
PANEL TO BE CUT
AS REQUIRED

FINISHED
FLOOR

WALL

WALL

CEILING LINE

1" REVEAL, TYP.

MADRID GROOVE &
BORE PANEL, STYLE
VARIES

MADRID Z-CLIP
SCREWED TO WALL
TO SECURE PANEL



MADRID
7800 INDUSTRY AVENUE
PICO RIVERA, CA 90660
WWW.MADRIDINC.COM

DRAWING TITLE:

GROOVE & BORE PANEL - WALL INSTALLATION GUIDE

GROOVE & BORE PANEL

DWG NO.:

A1.1