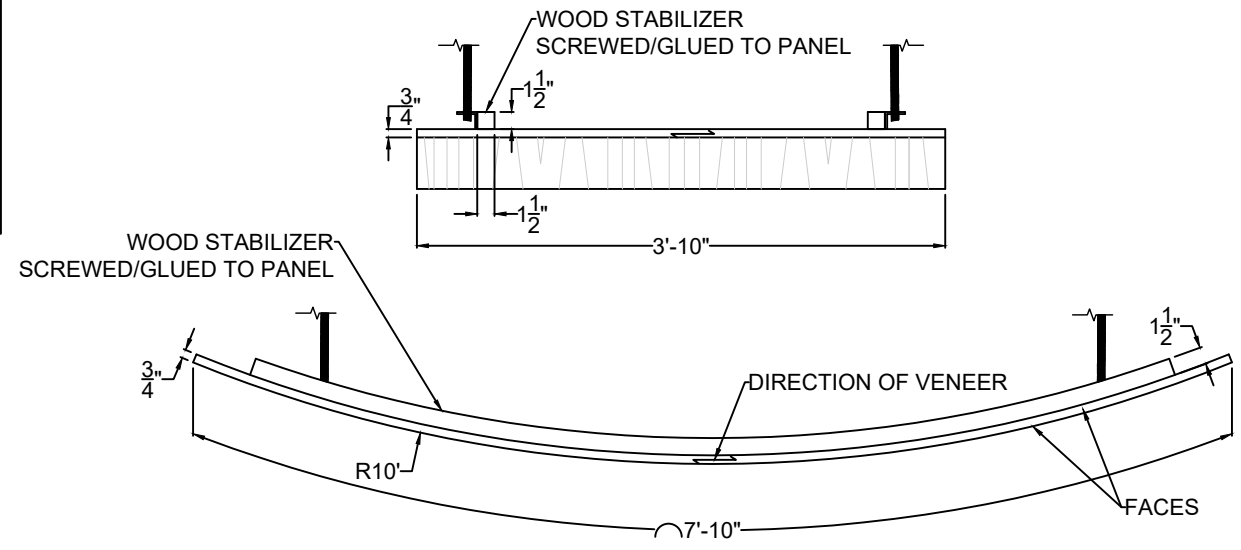
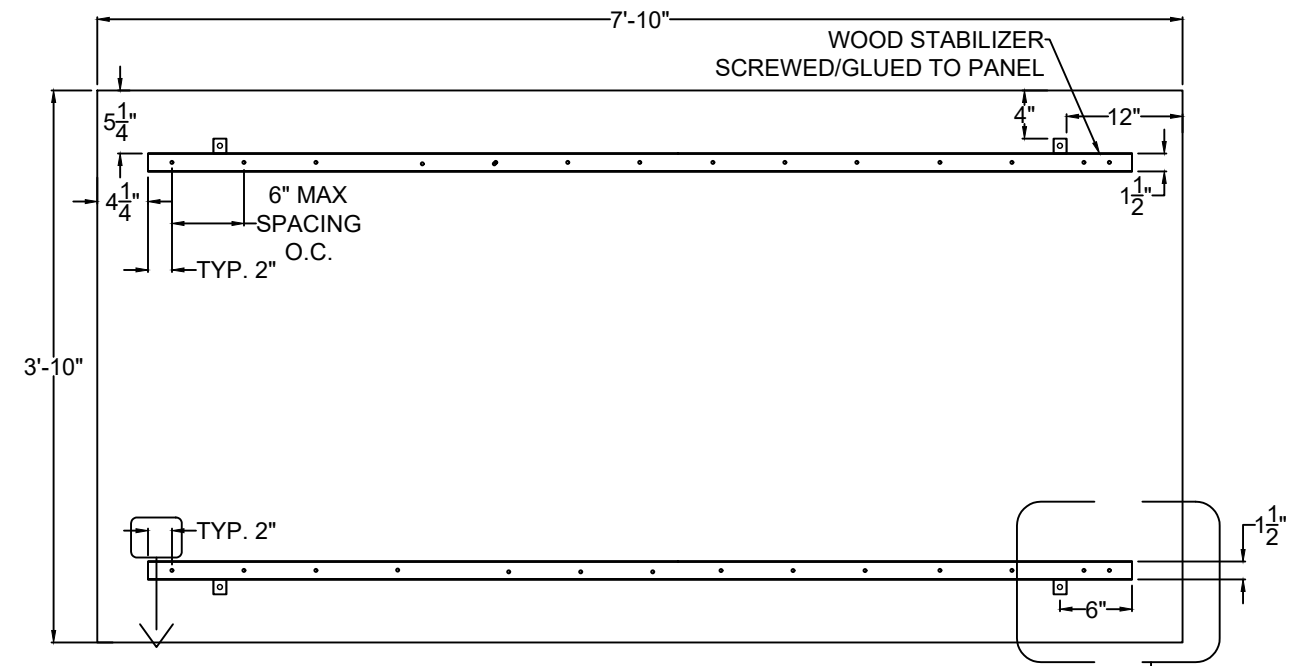


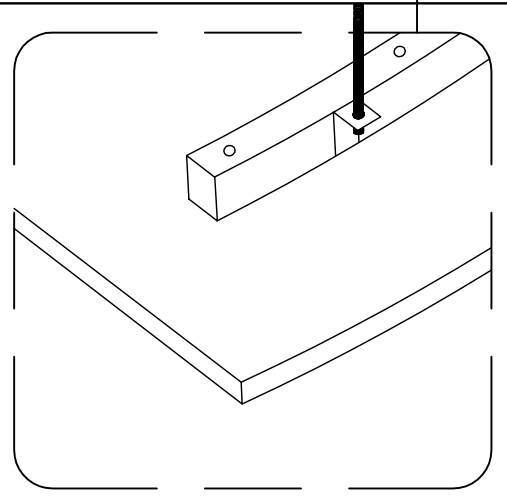
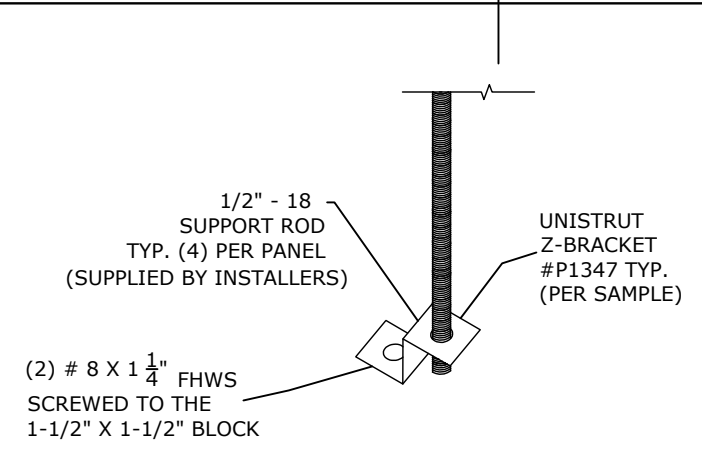
R-10



SIDE VIEW

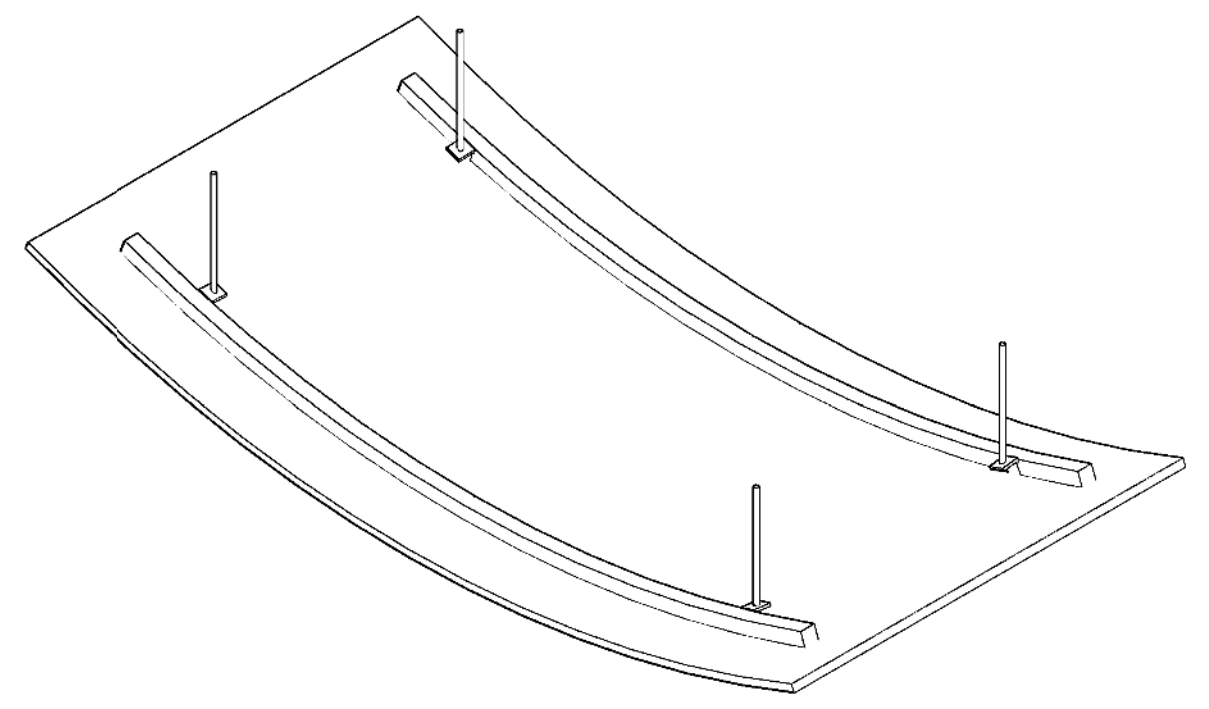


PLAN-TOP VIEW



NOTES:

MATERIAL:
VENEER:
COLOR/SHEEN:
LENGTH/WIDTH/RADIUS:



ISOMETRIC VIEW



MADRID
7800 INDUSTRY AVENUE
PICO RIVERA, CA 90660
WWW.MADRIDINC.COM

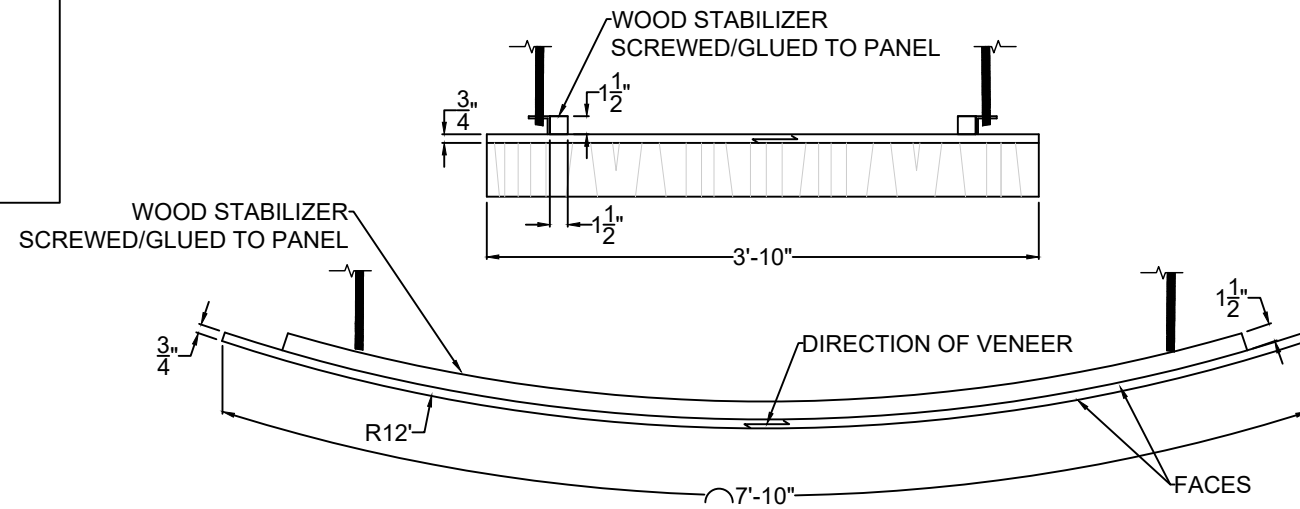
DRAWING TITLE: **R-10 (10' RADIUS)**

DATE: **04/2023**

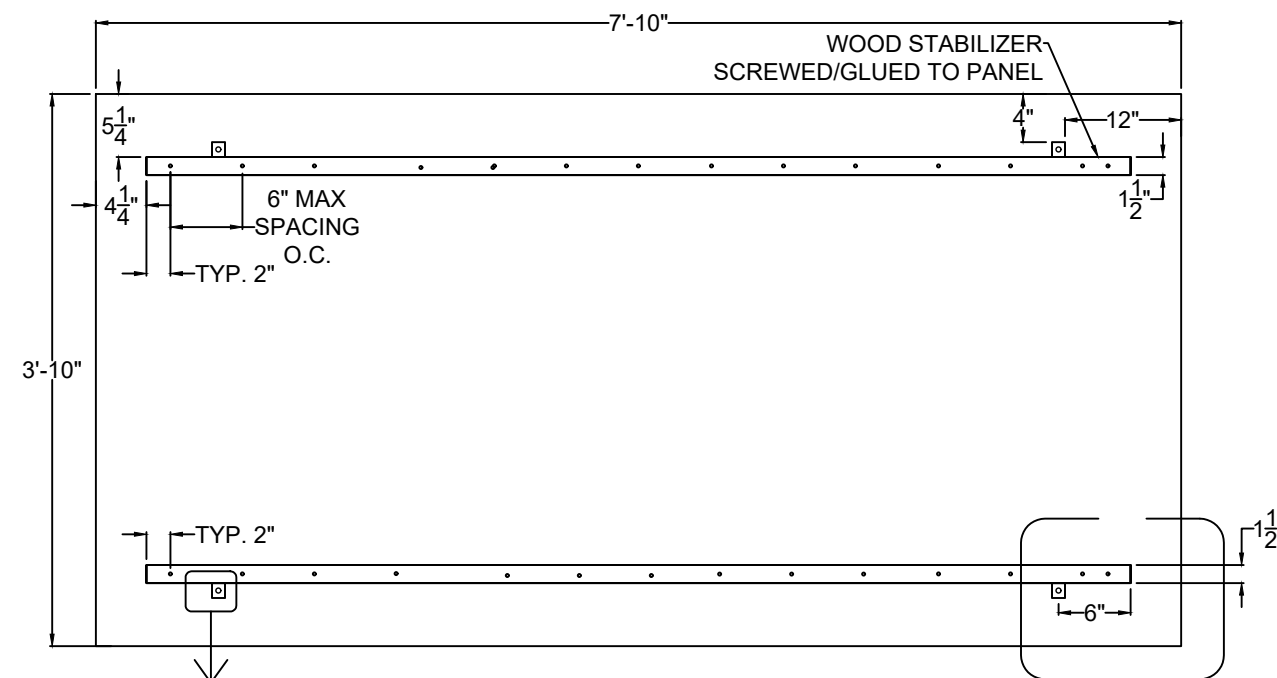
DRAWING #: **1 of 10**

THIS DOCUMENT CONTAINS CONFIDENTIAL AND PROPRIETARY INFORMATION. ALL RECIPIENTS OF THIS DOCUMENT ARE TO PROTECT THE OWNERS DATA FROM USE BY OR TRANSFER TO NON-AUTHORIZED PARTIES BY LEGAL MEANS POSSIBLE. COPYRIGHT © 2023

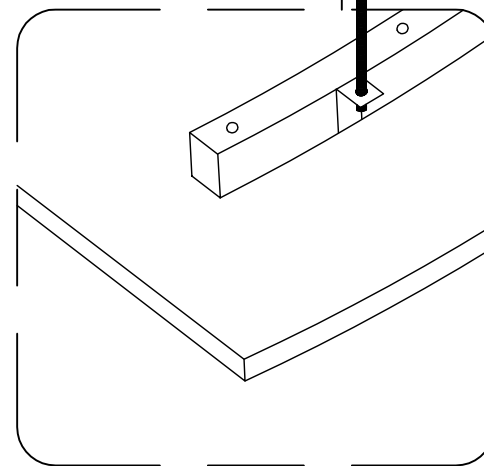
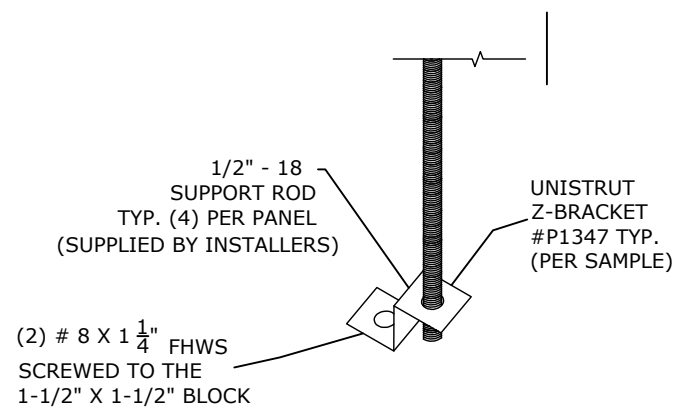
R-12



SIDE VIEW



PLAN-TOP VIEW



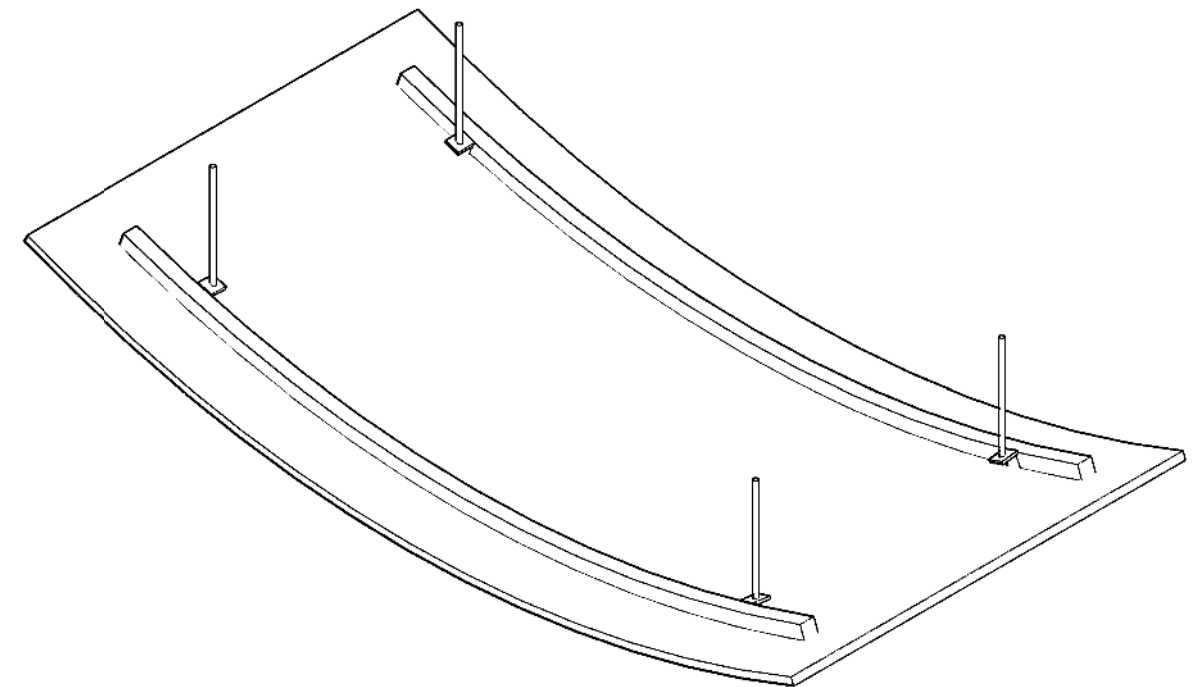
NOTES:

MATERIAL:

VENEER:

COLOR/SHEEN:

LENGTH/WIDTH/RADIUS:



ISOMETRIC VIEW



MADRID

7800 INDUSTRY AVENUE
PICO RIVERA, CA 90660
WWW.MADRIDINC.COM

DRAWING TITLE:

R-12 (12' RADIUS)

DATE

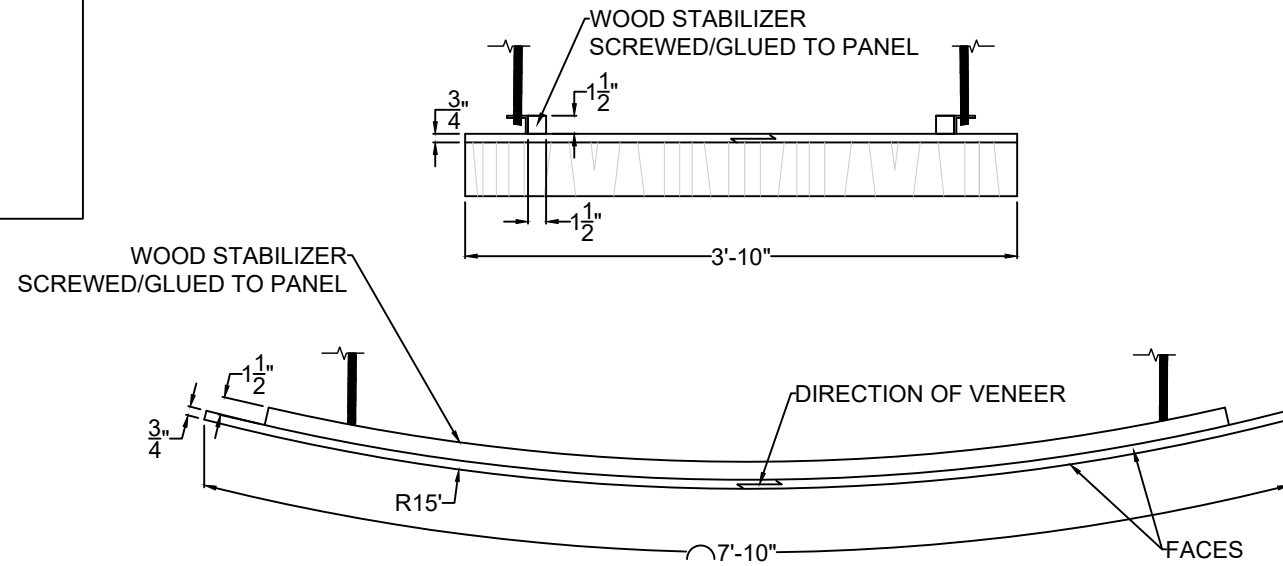
04/2023

DRAWING #:

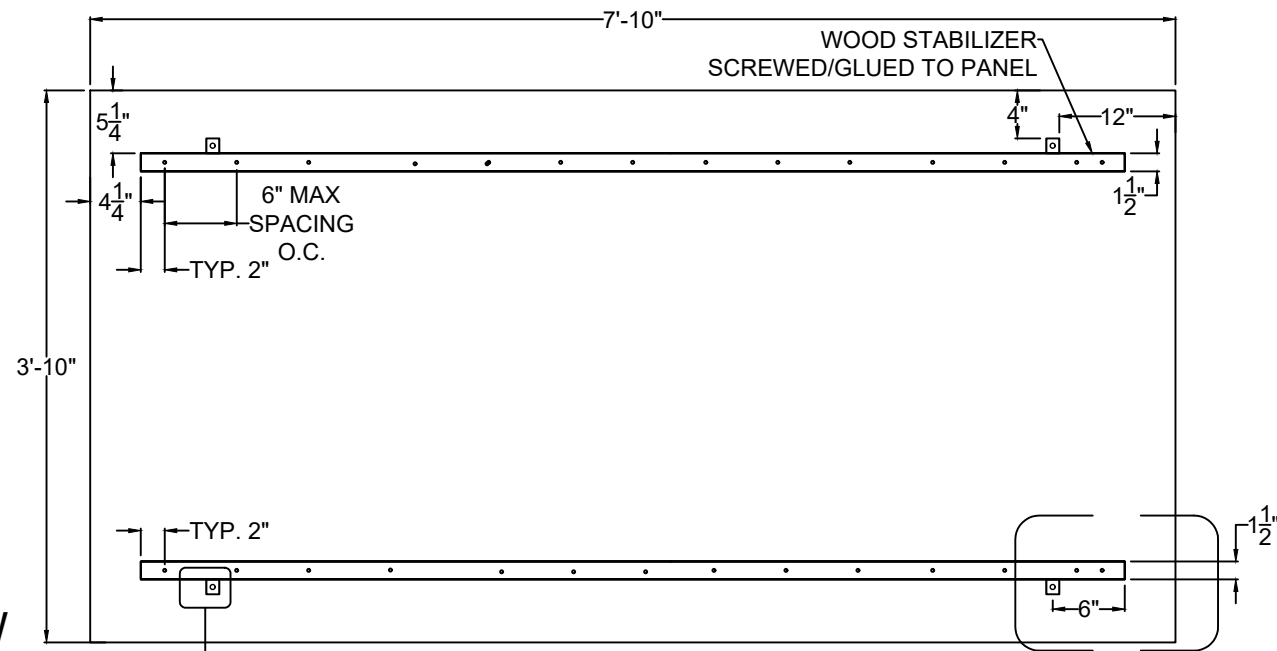
2 of 10

THIS DOCUMENT CONTAINS CONFIDENTIAL AND PROPRIETARY INFORMATION. ALL RECIPIENTS OF THIS DOCUMENT ARE TO PROTECT THE OWNERS DATA FROM USE BY OR TRANSFER TO NON-AUTHORIZED PARTIES BY LEGAL MEANS POSSIBLE. COPYRIGHT © 2023

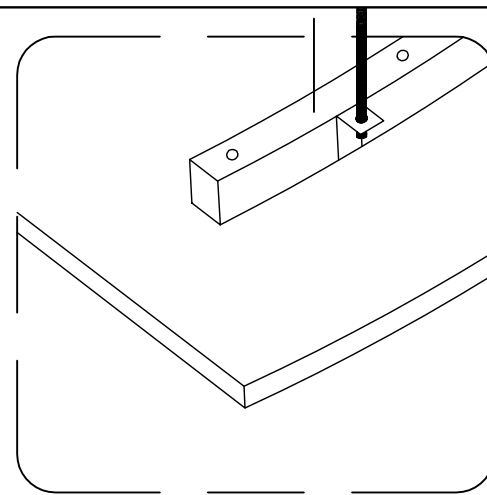
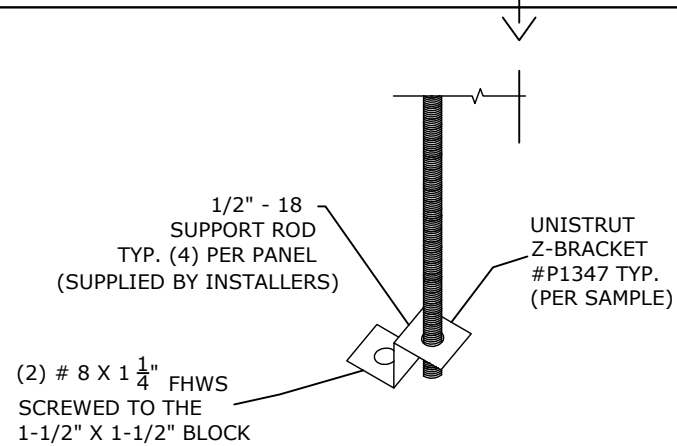
R-15



SIDE VIEW



PLAN-TOP VIEW



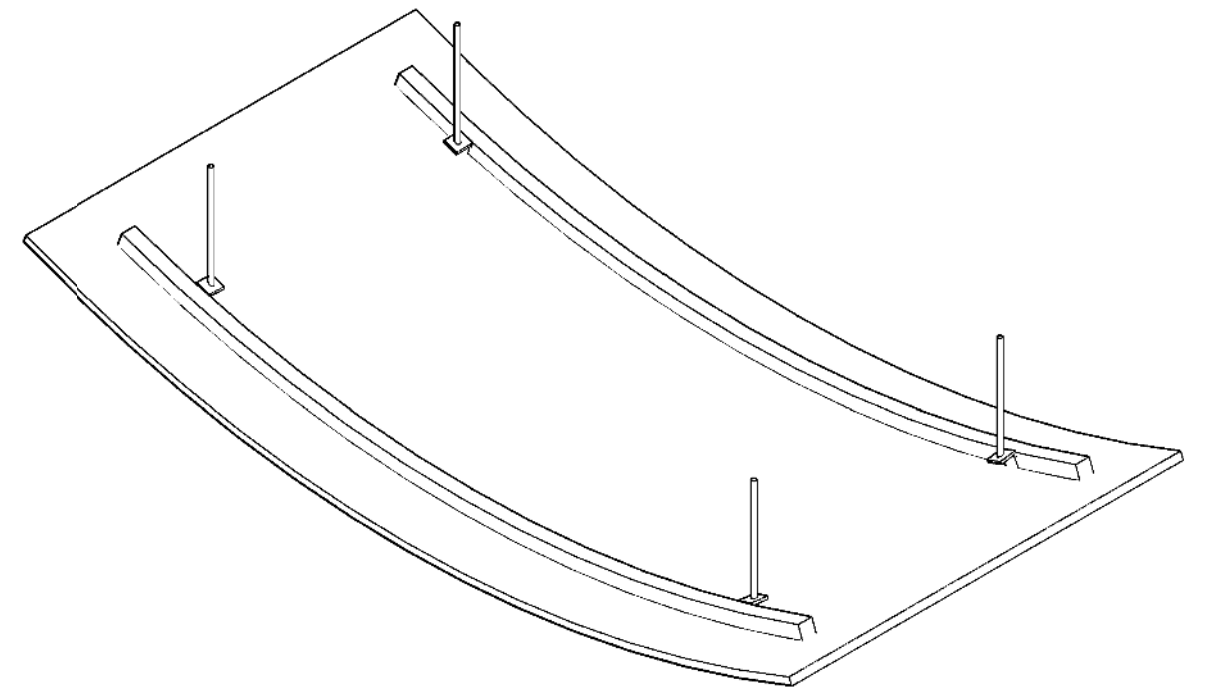
NOTES:

MATERIAL:

VENEER:

COLOR/SHEEN:

LENGTH/WIDTH/RADIUS:



ISOMETRIC VIEW



MADRID
7800 INDUSTRY AVENUE
PICO RIVERA, CA 90660
WWW.MADRIDINC.COM

DRAWING TITLE:

R-15 (15' RADIUS)

DATE

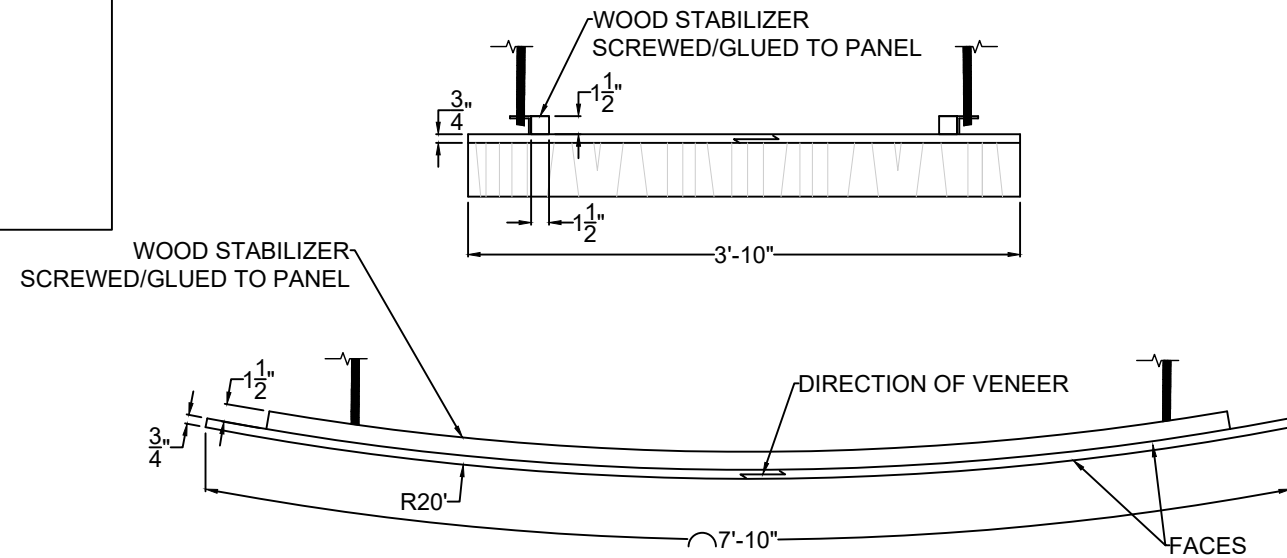
04/2023

DRAWING #:

3 of 10

THIS DOCUMENT CONTAINS CONFIDENTIAL AND PROPRIETARY INFORMATION. ALL RECIPIENTS OF THIS DOCUMENT ARE TO PROTECT THE OWNERS DATA FROM USE BY OR TRANSFER TO NON-AUTHORIZED PARTIES BY LEGAL MEANS POSSIBLE. COPYRIGHT © 2023

R-20



SIDE VIEW

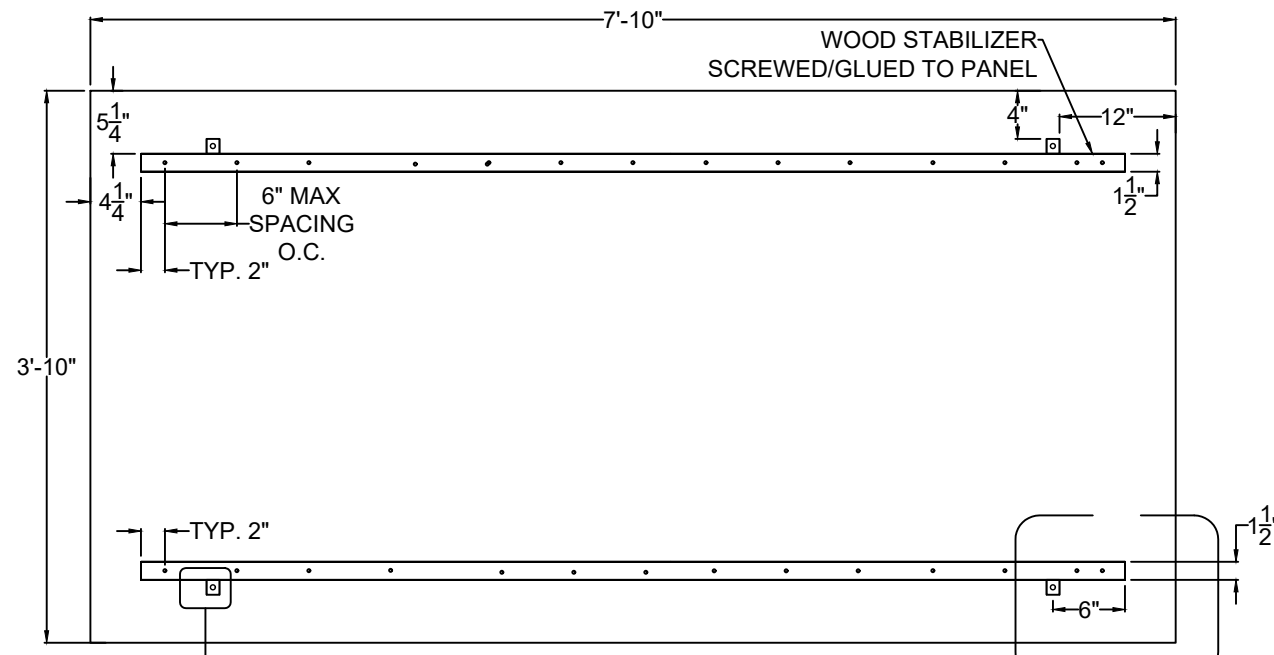
NOTES:

MATERIAL:

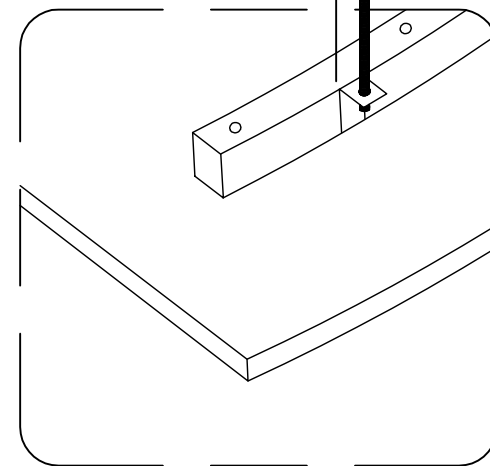
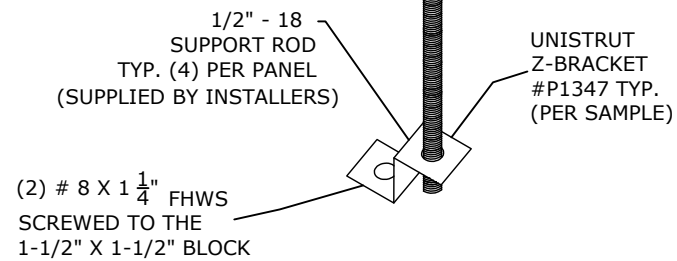
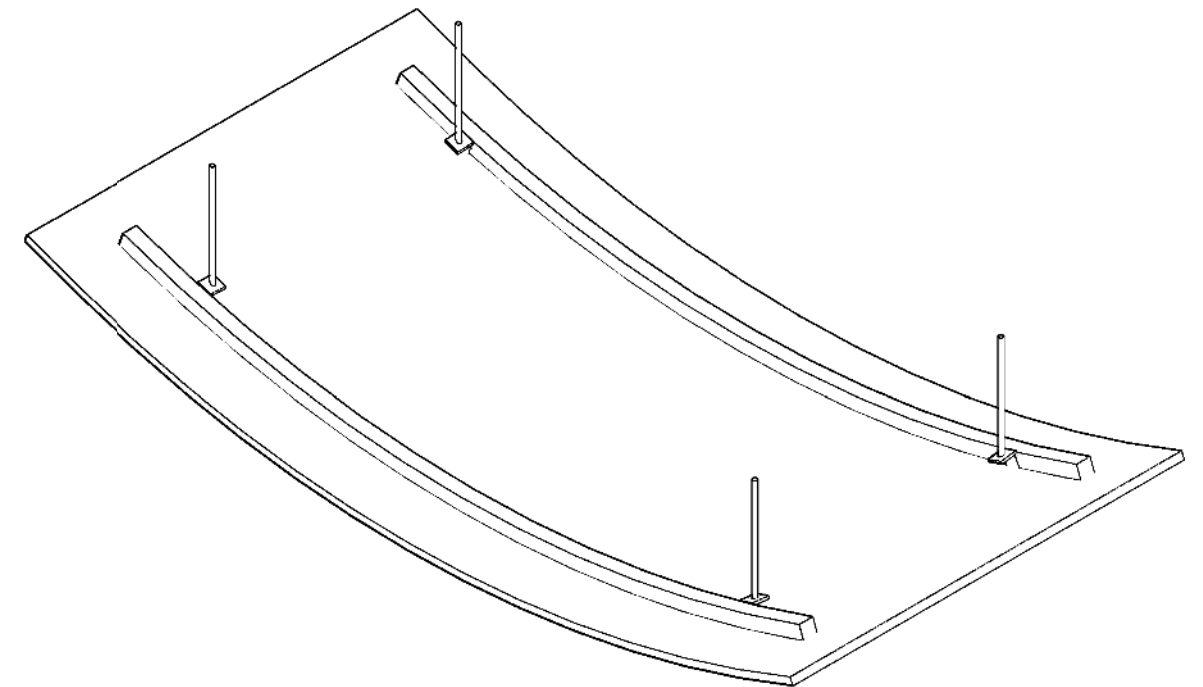
VENEER:

COLOR/SHEEN:

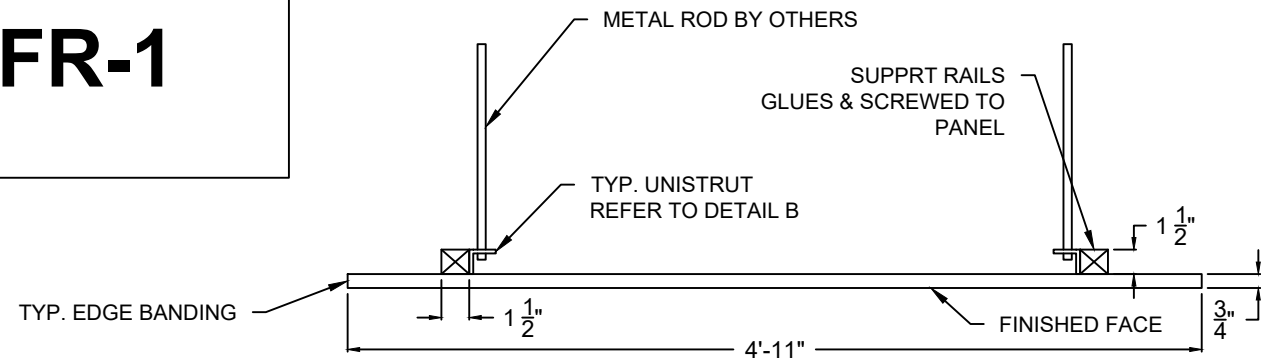
LENGTH/WIDTH/RADIUS:



PLAN- TOP VIEW



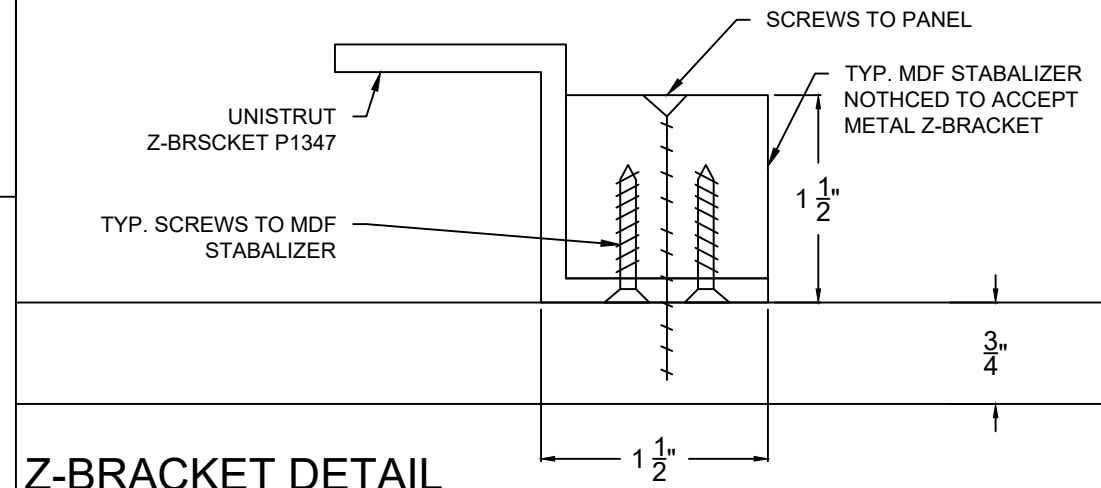
FR-1



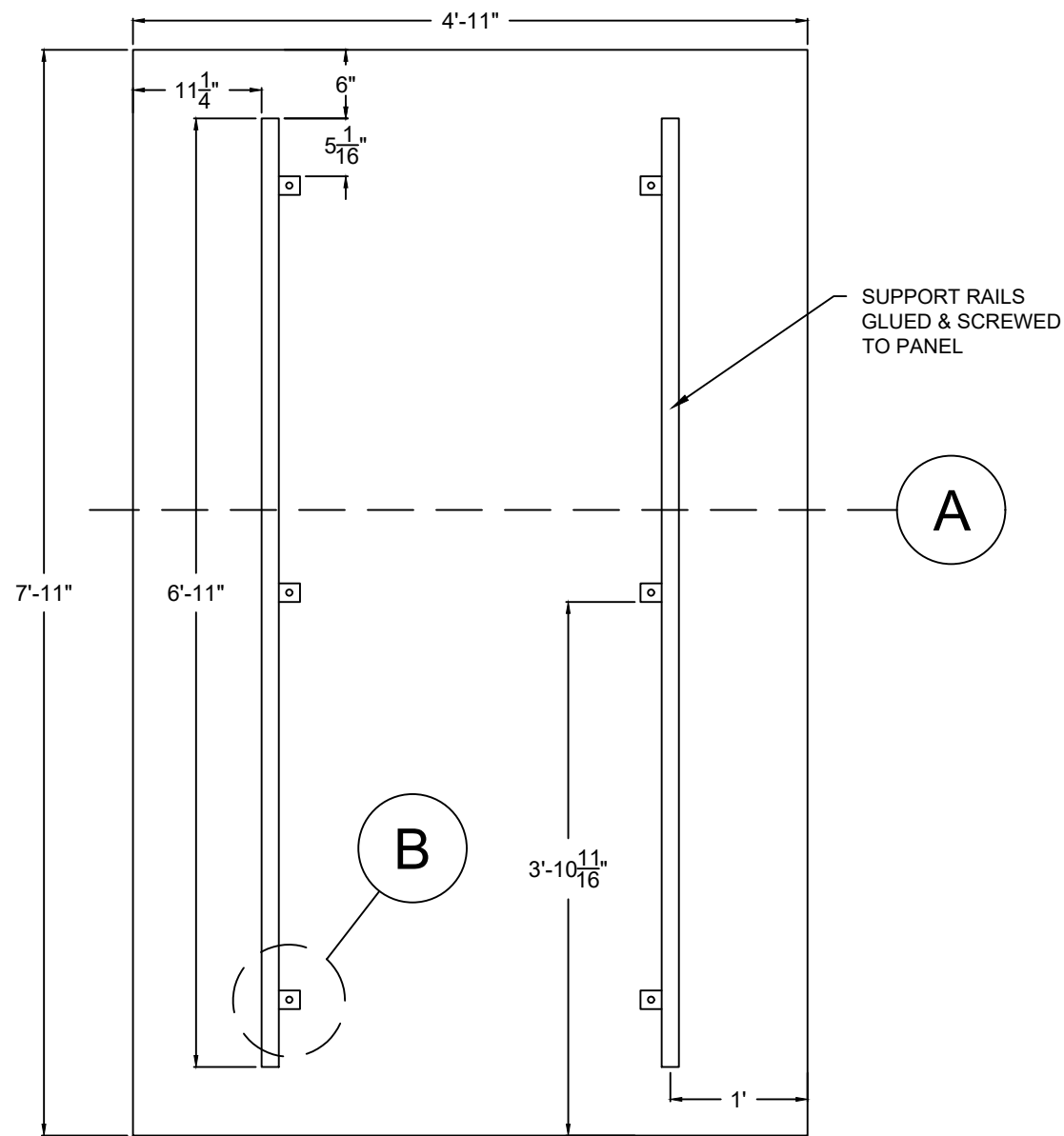
SECTION VIEW

A

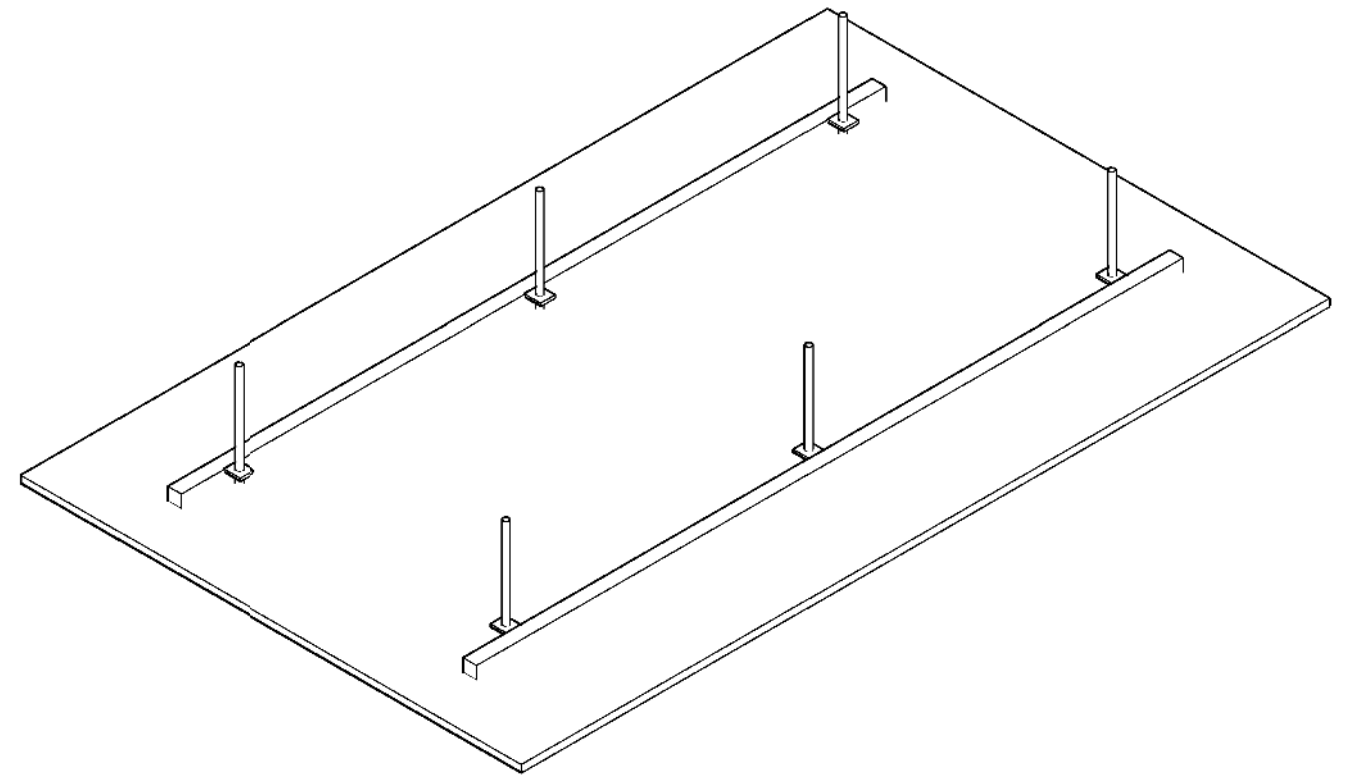
B



Z-BRACKET DETAIL



PLAN VIEW



ISOMETRIC VIEW



MADRID
 7800 INDUSTRY AVENUE
 PICO RIVERA, CA 90660
 WWW.MADRIDINC.COM

DRAWING TITLE:

FLAT REFLECTOR

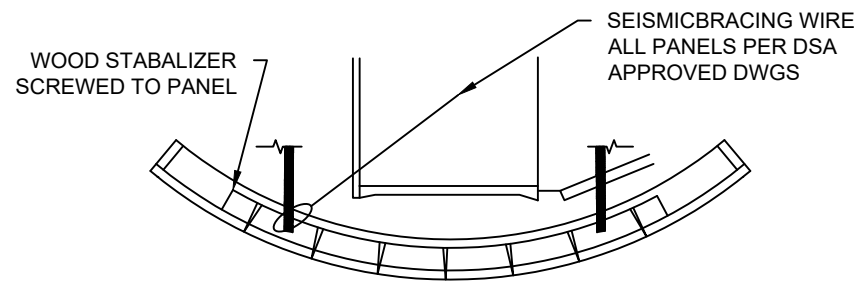
DATE

04/2023

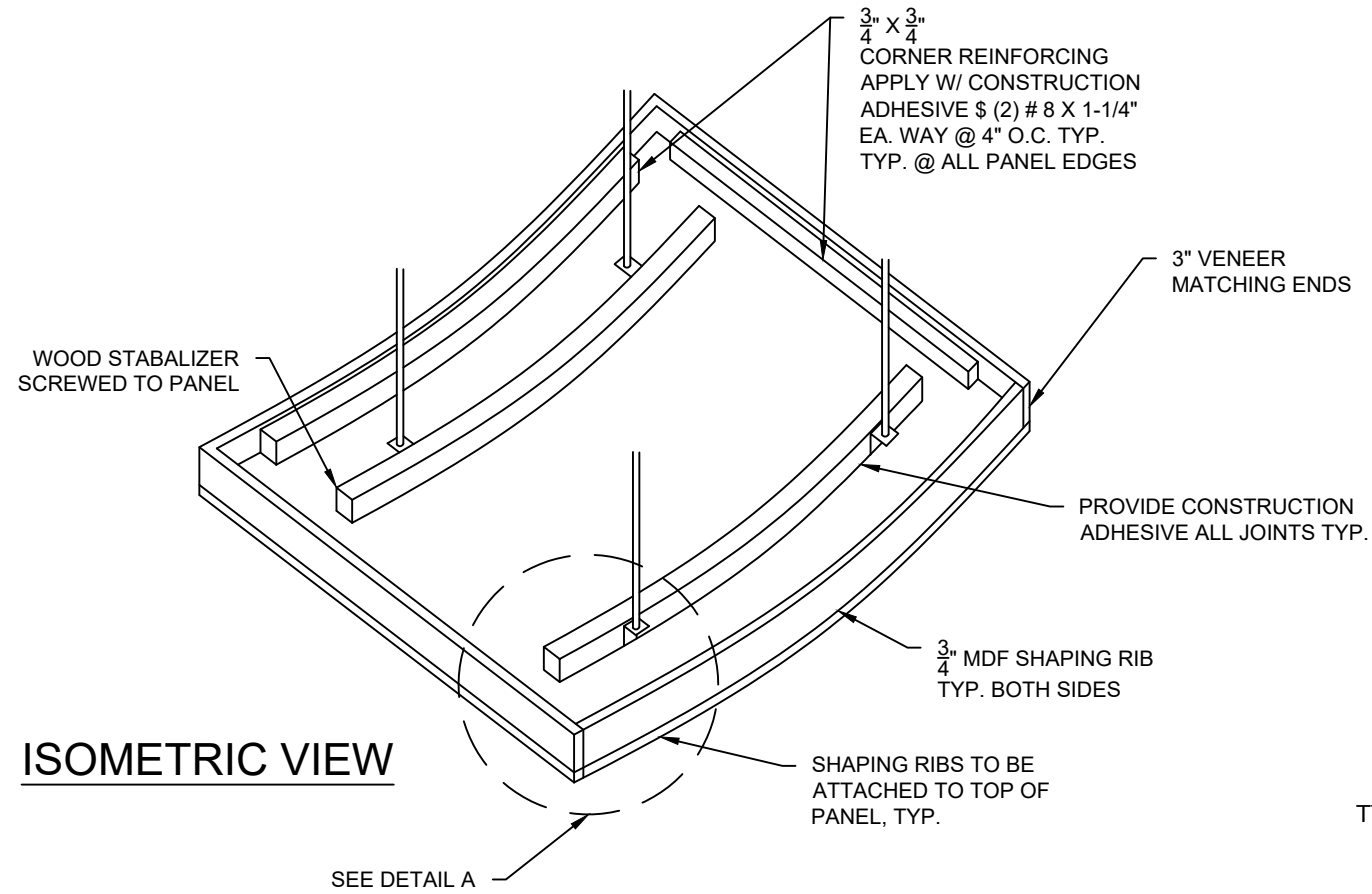
DRAWING #:

5 of 10

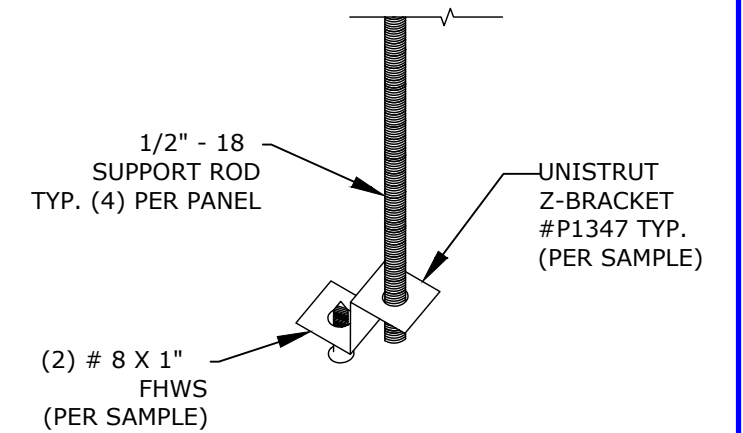
THIS DOCUMENT CONTAINS CONFIDENTIAL AND PROPRIETARY INFORMATION. ALL RECIPIENTS OF THIS DOCUMENT ARE TO PROTECT THE OWNERS DATA FROM USE BY OR TRANSFER TO NON-AUTHORIZED PARTIES BY LEGAL MEANS POSSIBLE. COPYRIGHT © 2023



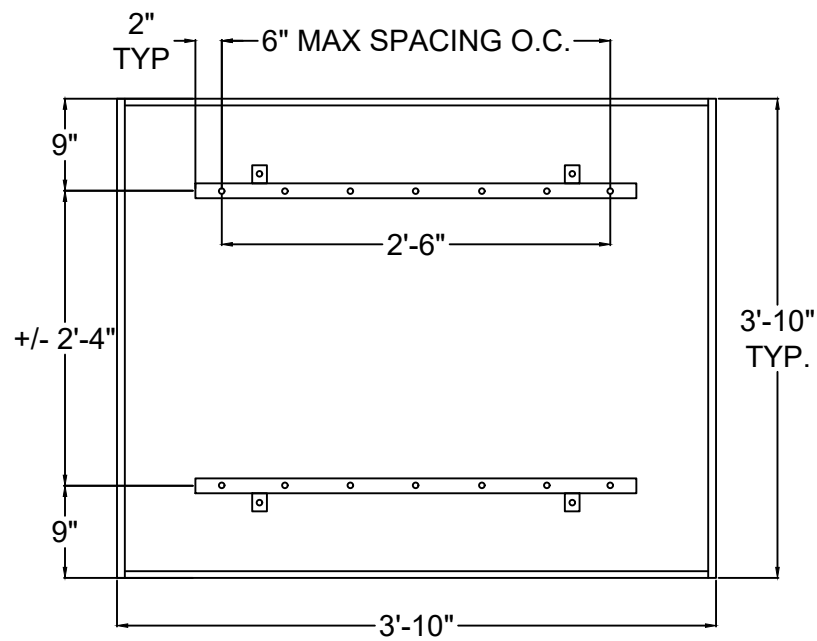
SIDE VIEW



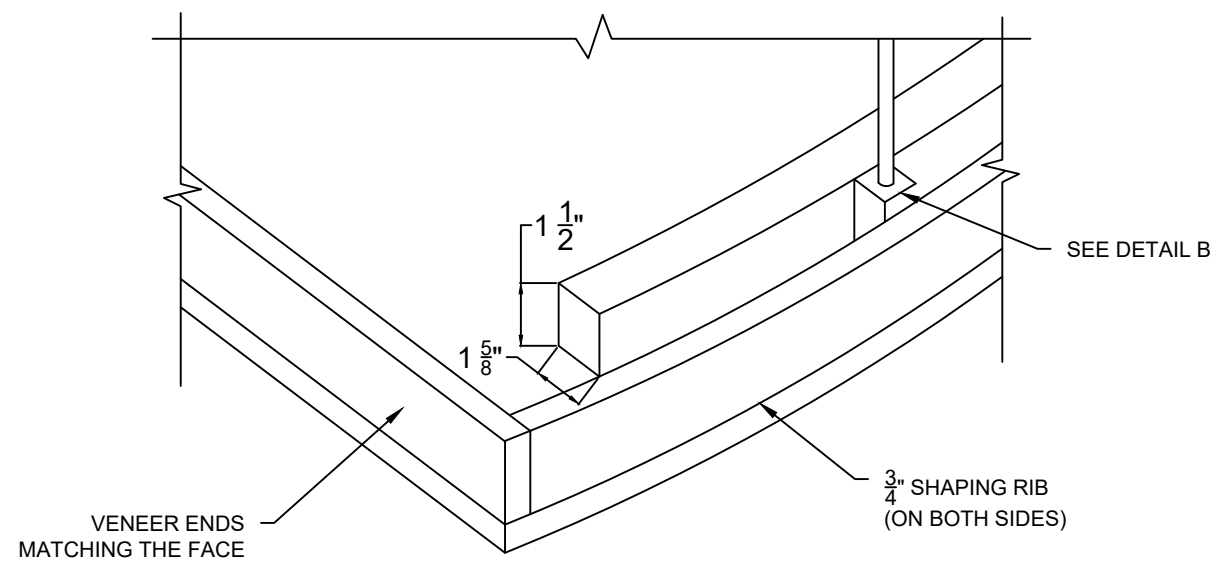
ISOMETRIC VIEW



DETAIL B



PLAN



DETAIL A



MADRID
7800 INDUSTRY AVENUE
PICO RIVERA, CA 90660
WWW.MADRIDINC.COM

DRAWING TITLE:

ATTACHMENT GUIDE

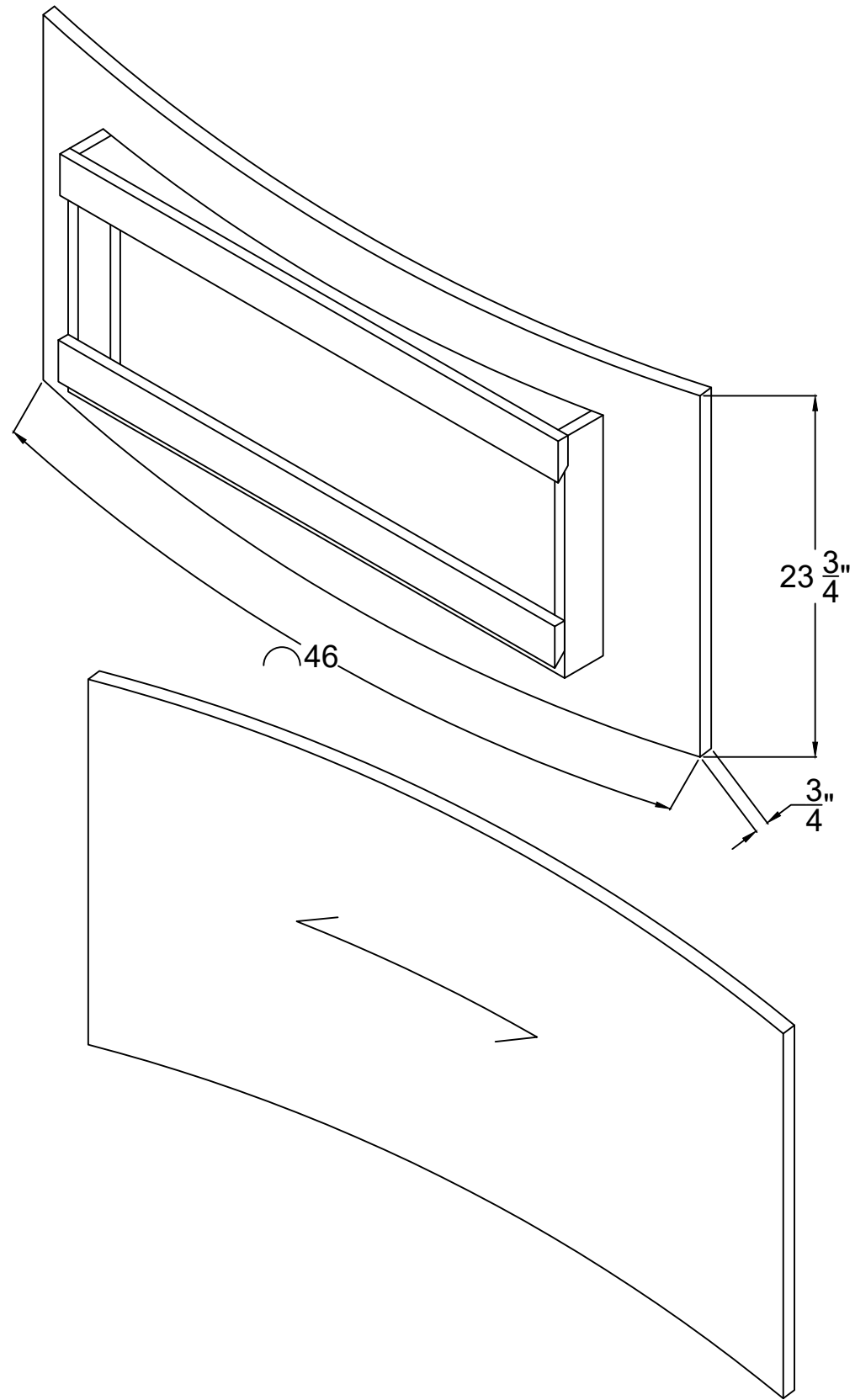
DATE

04/2023

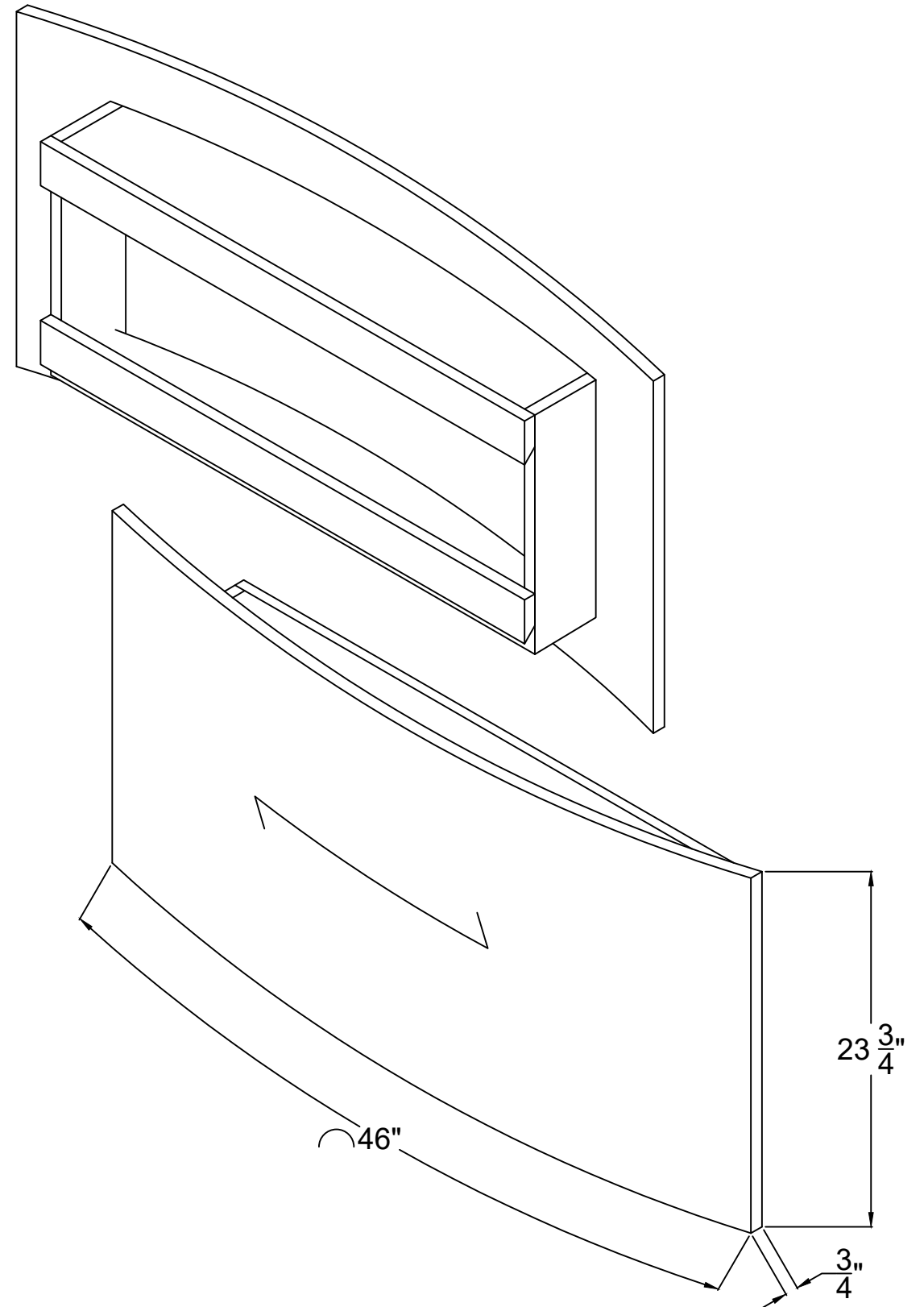
DRAWING #:

6 of 10

THIS DOCUMENT CONTAINS CONFIDENTIAL AND PROPRIETARY INFORMATION. ALL RECIPIENTS OF THIS DOCUMENT ARE TO PROTECT THE OWNERS DATA FROM USE BY OR TRANSFER TO NON-AUTHORIZED PARTIES BY LEGAL MEANS POSSIBLE. COPYRIGHT © 2023



WALL CONCAVE REFLECTOR



WALL CONVEX REFLECTOR



MADRID
7800 INDUSTRY AVENUE
PICO RIVERA, CA 90660
WWW.MADRIDINC.COM

DRAWING TITLE:

WALL CONCAVE/CONVEX REFLECTOR

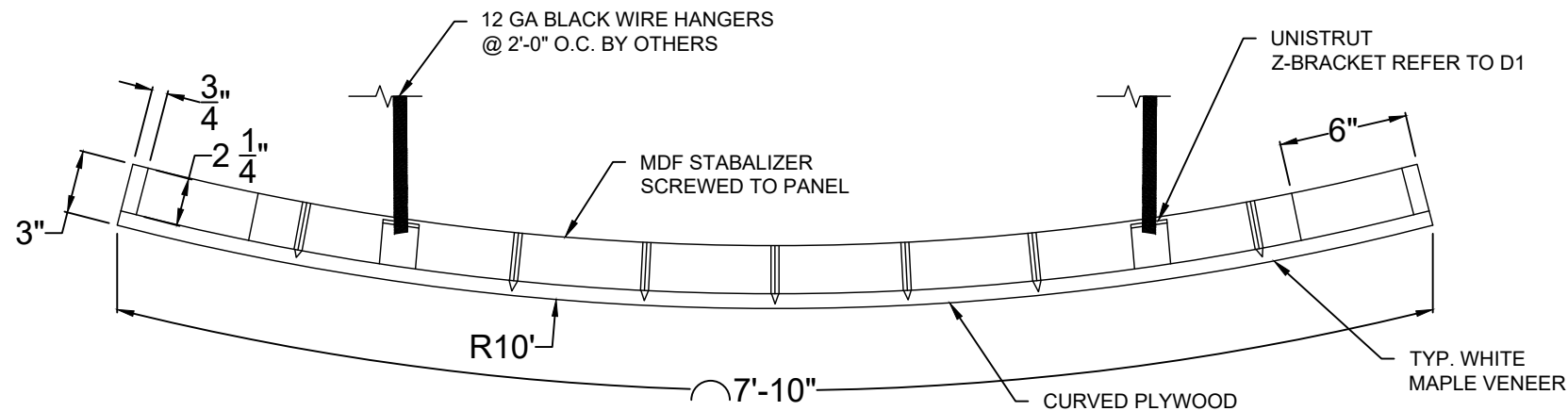
DATE

04/2023

DRAWING #:

7 of 10

THIS DOCUMENT CONTAINS CONFIDENTIAL AND PROPRIETARY INFORMATION. ALL RECIPIENTS OF THIS DOCUMENT ARE TO PROTECT THE OWNERS DATA FROM USE BY OR TRANSFER TO NON-AUTHORIZED PARTIES BY LEGAL MEANS POSSIBLE. COPYRIGHT © 2023



SIDE VIEW

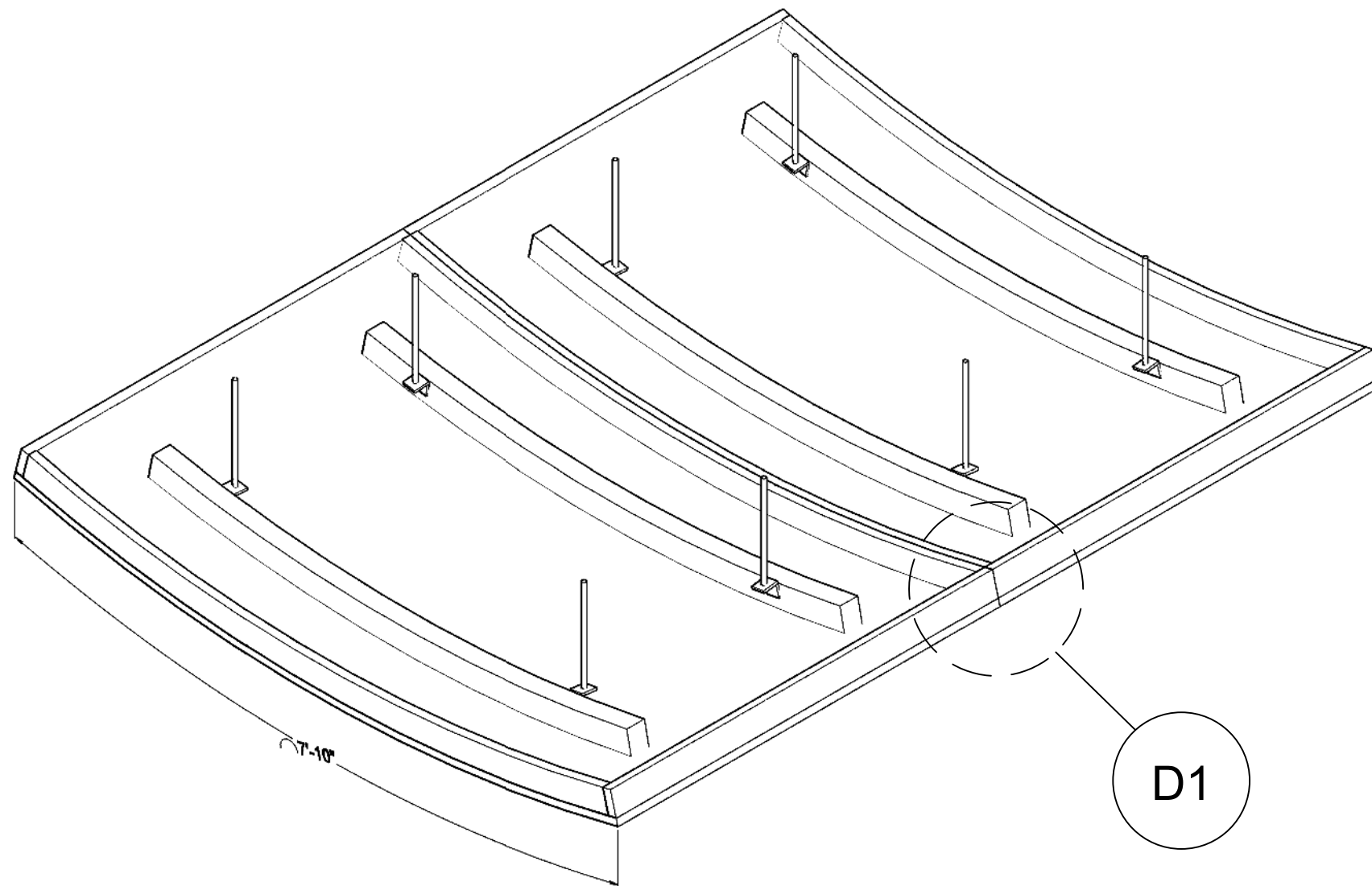
NOTES:

MATERIAL:

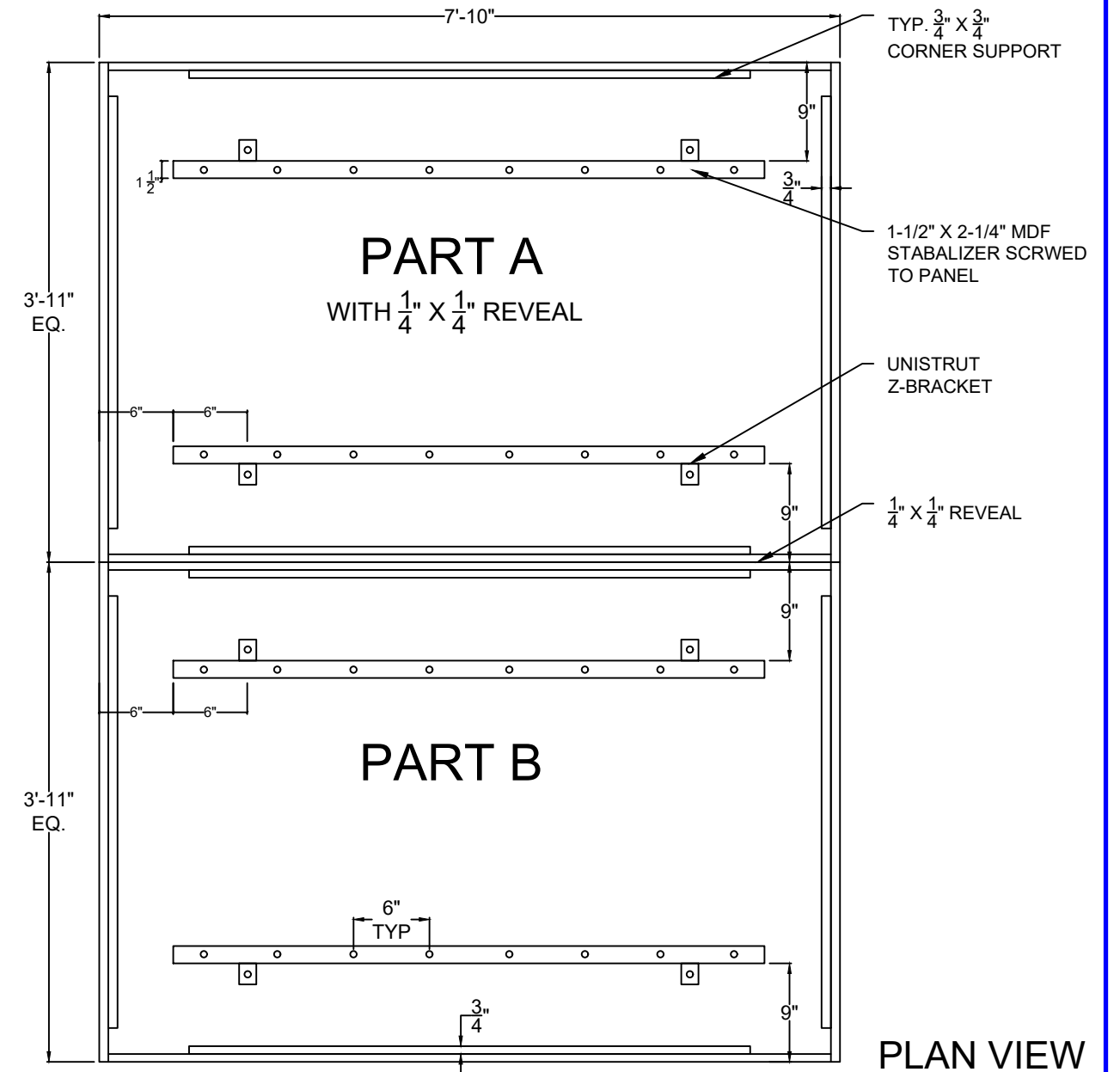
VENEER:

COLOR/SHEEN:

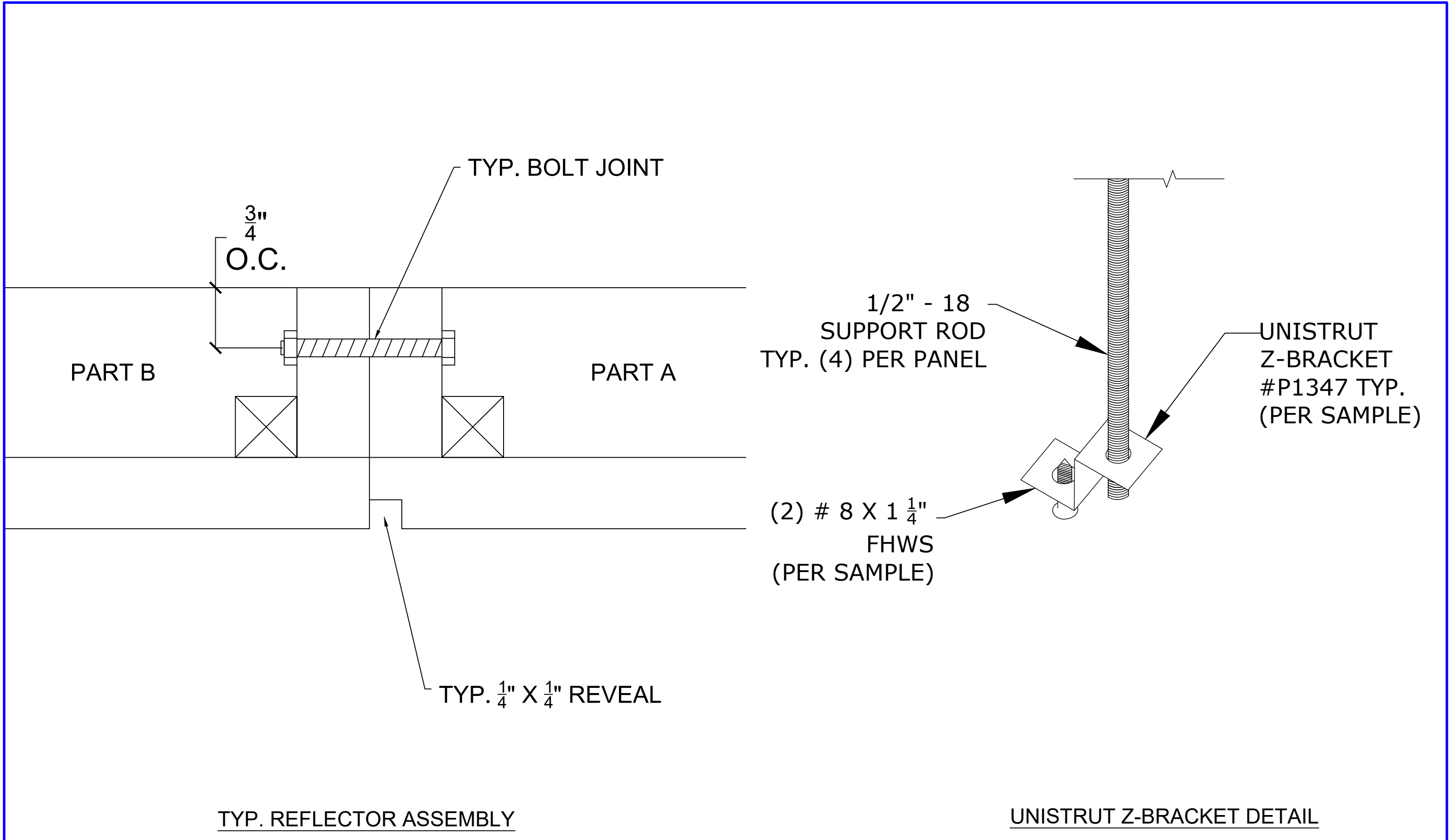
LENGTH/WIDTH/RADIUS:




PLAN-TOP VIEW

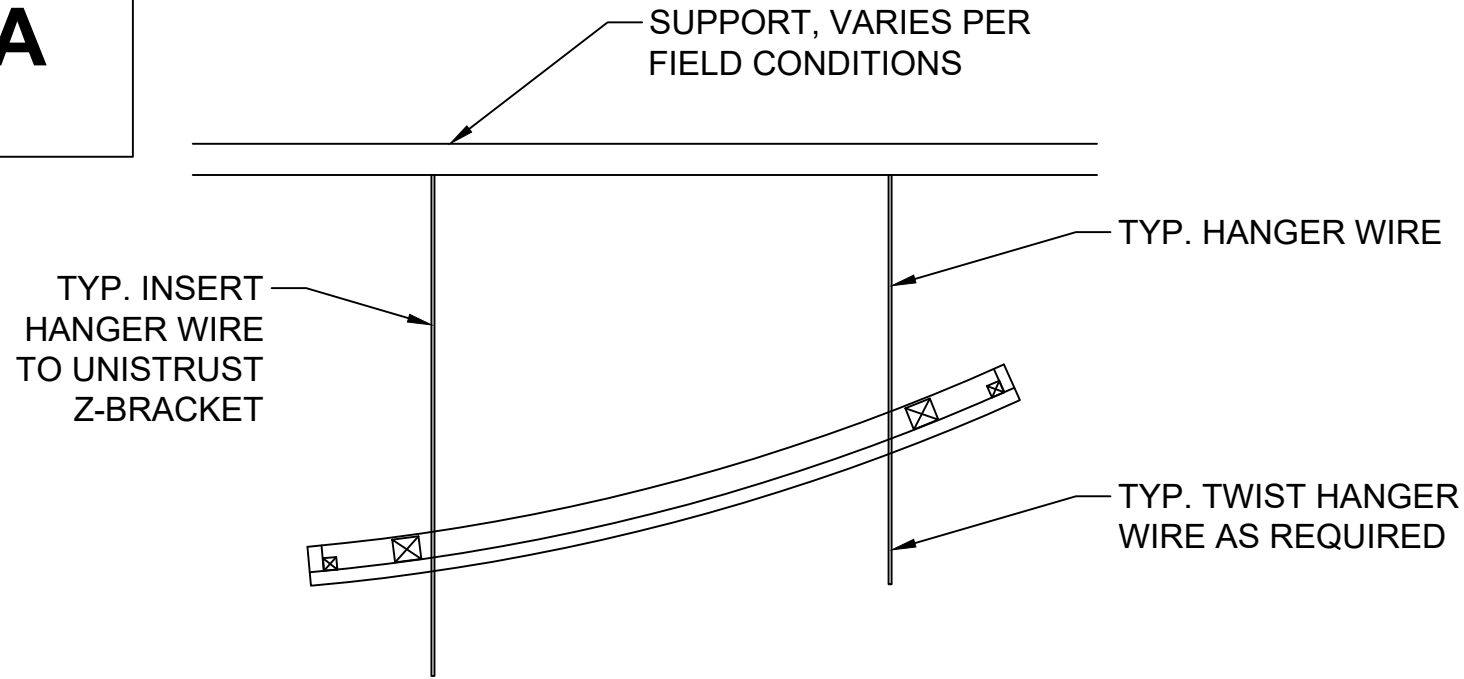


PLAN VIEW



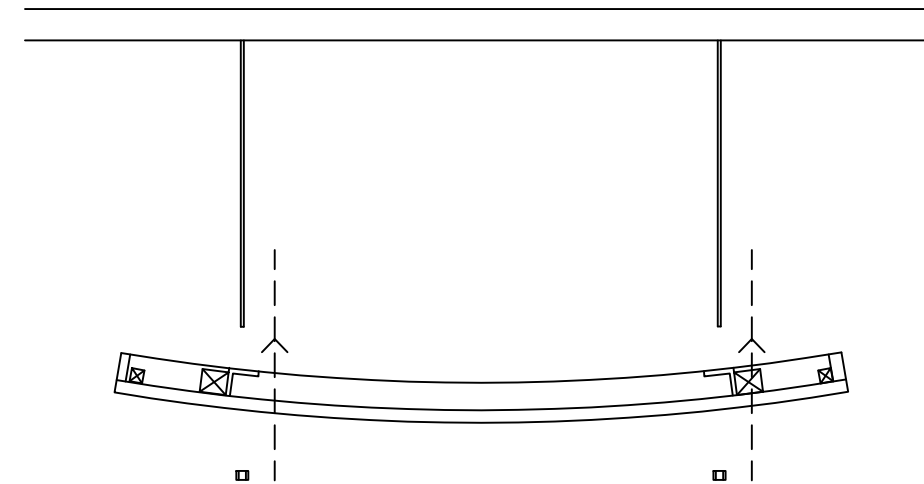
 <p>MADRID 7800 INDUSTRY AVENUE PICO RIVERA, CA 90660 WWW.MADRIDINC.COM</p>	DRAWING TITLE:	MADRID 2 PART REFLECTOR DETAIL	DATE	04/2023	DRAWING #:	9 of 10
	<p>THIS DOCUMENT CONTAINS CONFIDENTIAL AND PROPRIETARY INFORMATION. ALL RECIPIENTS OF THIS DOCUMENT ARE TO PROTECT THE OWNERS DATA FROM USE BY OR TRANSFER TO NON-AUTHORIZED PARTIES BY LEGAL MEANS POSSIBLE. COPYRIGHT © 2023</p>					

A



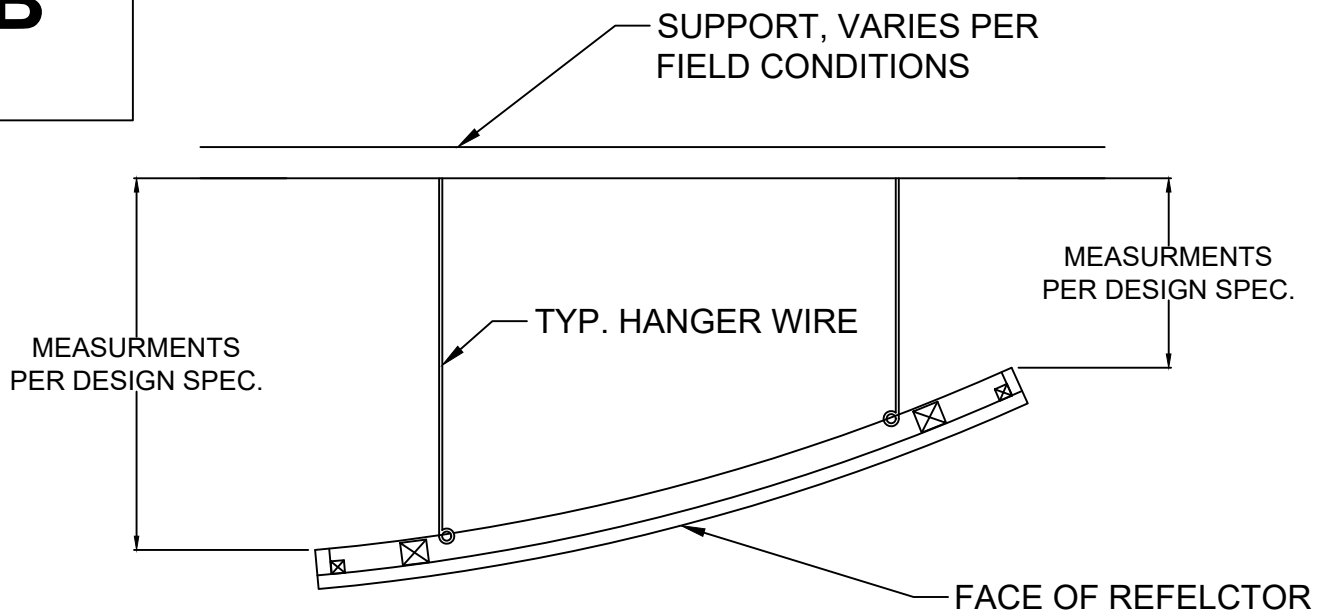
MADRID REFLECTOR INSTALL W/ HANGING WIRE

A



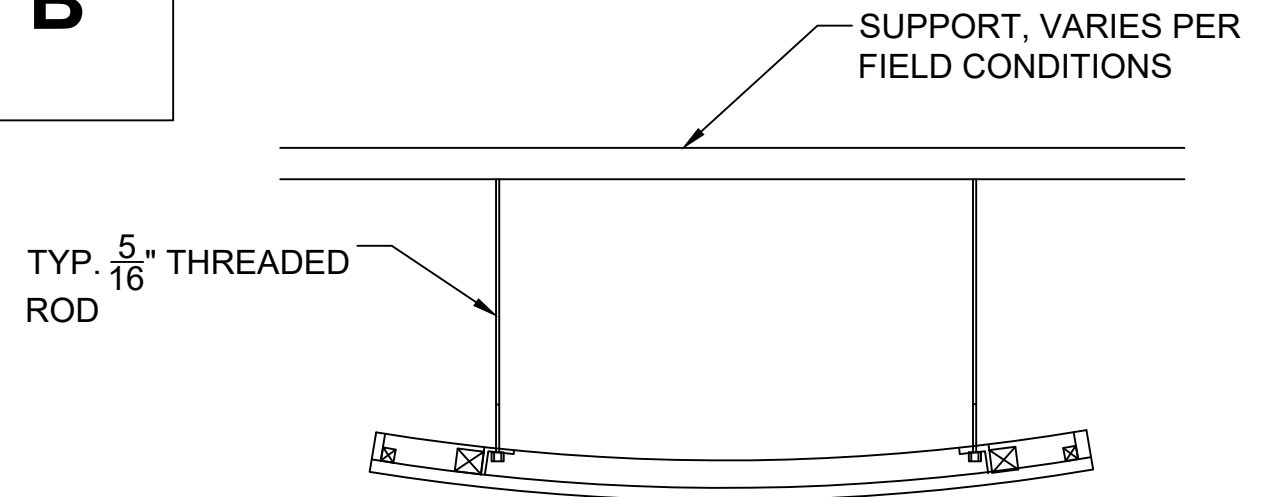
MADRID REFLECTOR INSTALL W/ THREADED ROD

B



MADRID REFLECTOR INSTALL W/ HANGING WIRE

B



MADRID REFLECTOR INSTALL W/ THREADED ROD



MADRID
 7800 INDUSTRY AVENUE
 PICO RIVERA, CA 90660
 WWW.MADRIDINC.COM

DRAWING TITLE:

MADRID REFLECTOR INSTALL GUIDE

DATE

04/2023

DRAWING #:

10 of 10

THIS DOCUMENT CONTAINS CONFIDENTIAL AND PROPRIETARY INFORMATION. ALL RECIPIENTS OF THIS DOCUMENT ARE TO PROTECT THE OWNERS DATA FROM USE BY OR TRANSFER TO NON-AUTHORIZED PARTIES BY LEGAL MEANS POSSIBLE. COPYRIGHT © 2023