

SIDE VIEW

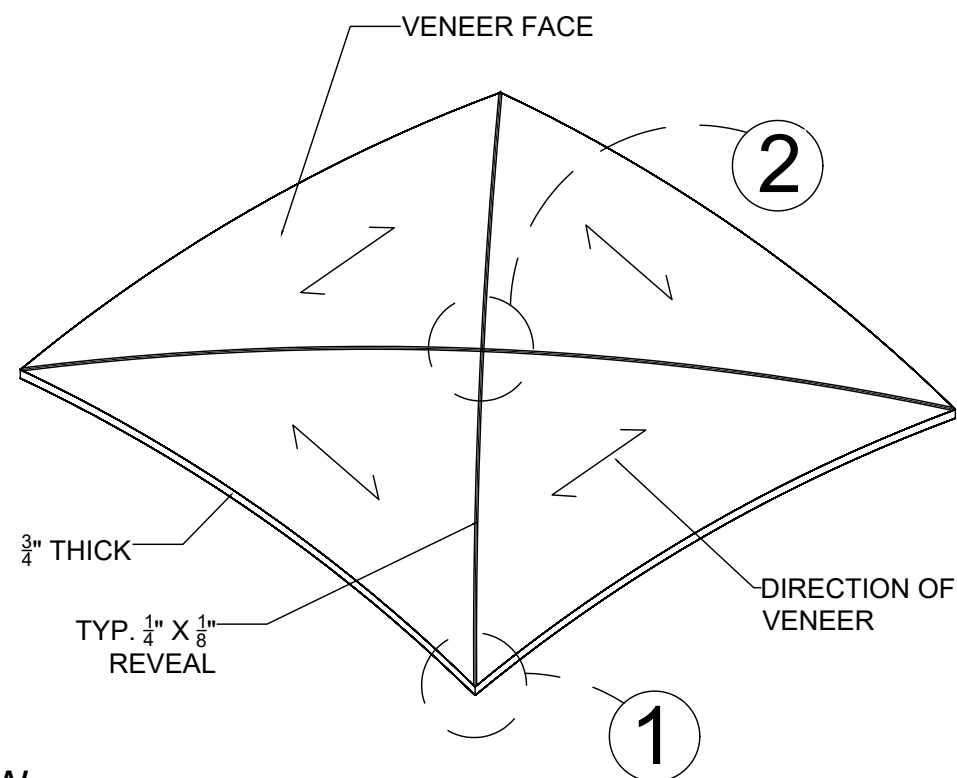
NOTES:

MATERIAL:

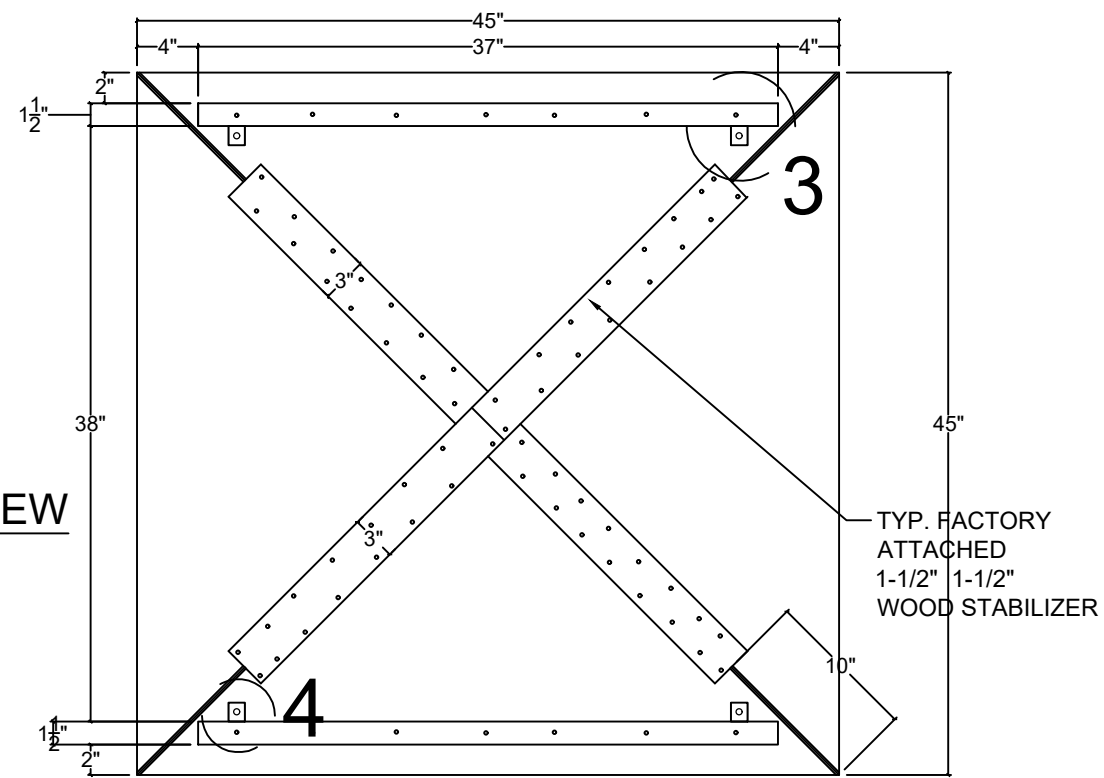
VENEER:

COLOR/SHEEN:

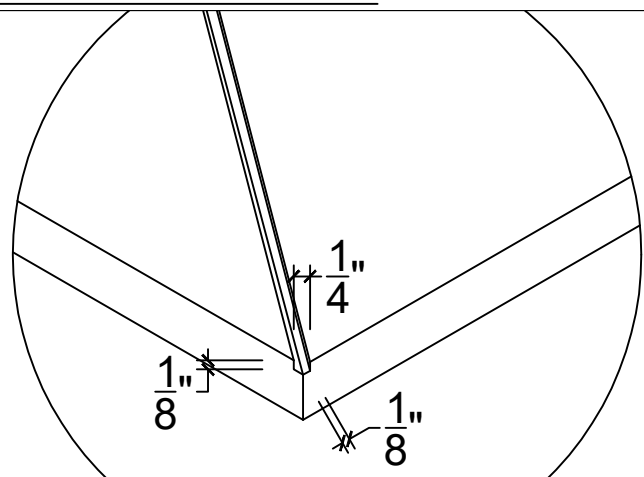
LENGTH/WIDTH/RADUIS:



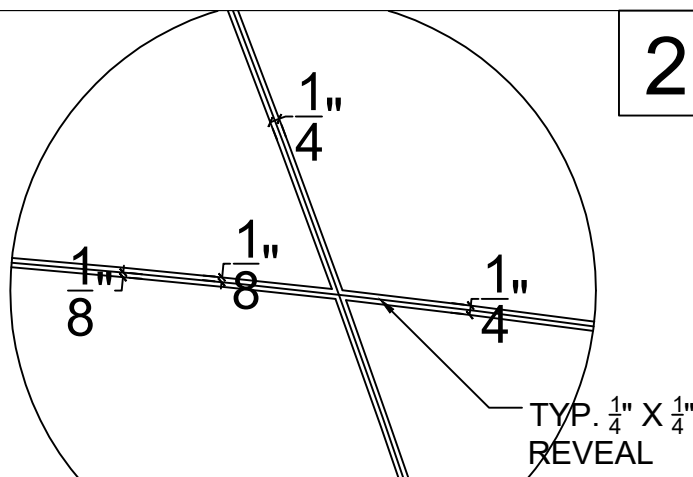
ISO. BOTTOM VIEW



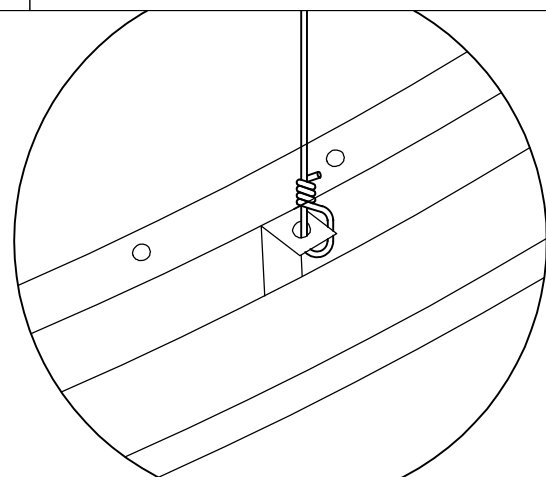
PLAN-TOP VIEW



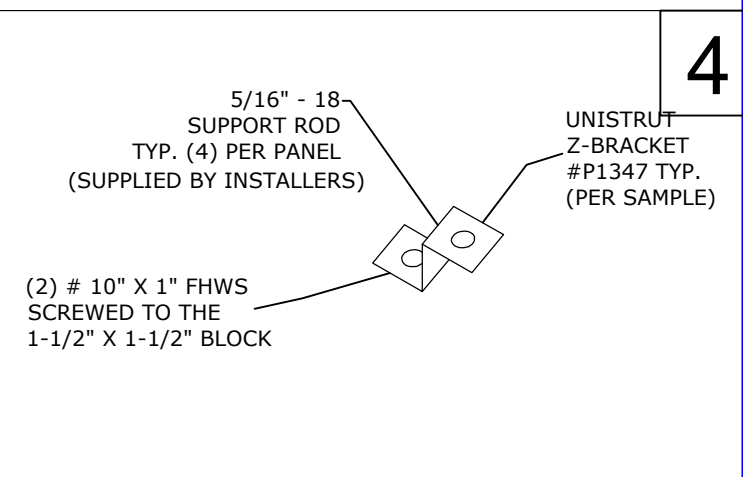
1



2



3



4



**MADRID**

7800 INDUSTRY AVENUE  
PICO RIVERA, CA 90660  
WWW.MADRIDINC.COM

DRAWING TITLE:

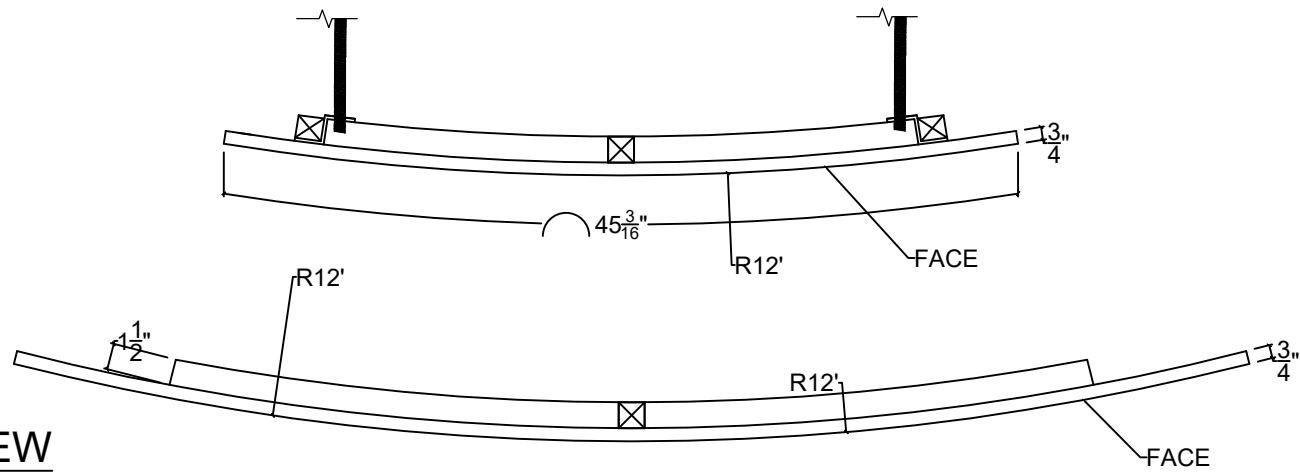
MADRID COMPOUND REFLECTOR

4 C. REFLECTOR

DWG. NO.

1 OF 1

THIS DOCUMENT CONTAINS CONFIDENTIAL AND PROPRIETARY INFORMATION.  
ALL RECIPIENTS OF THIS DOCUMENT ARE TO PROTECT THE OWNERS DATA FROM USE BY OR TRANSFER  
TO NON AUTHORIZED PARTIES BY LEGAL MEANS POSSIBLE COPYRIGHT © 2013 CAD DESIGN AND DRAFTING



SIDE VIEW

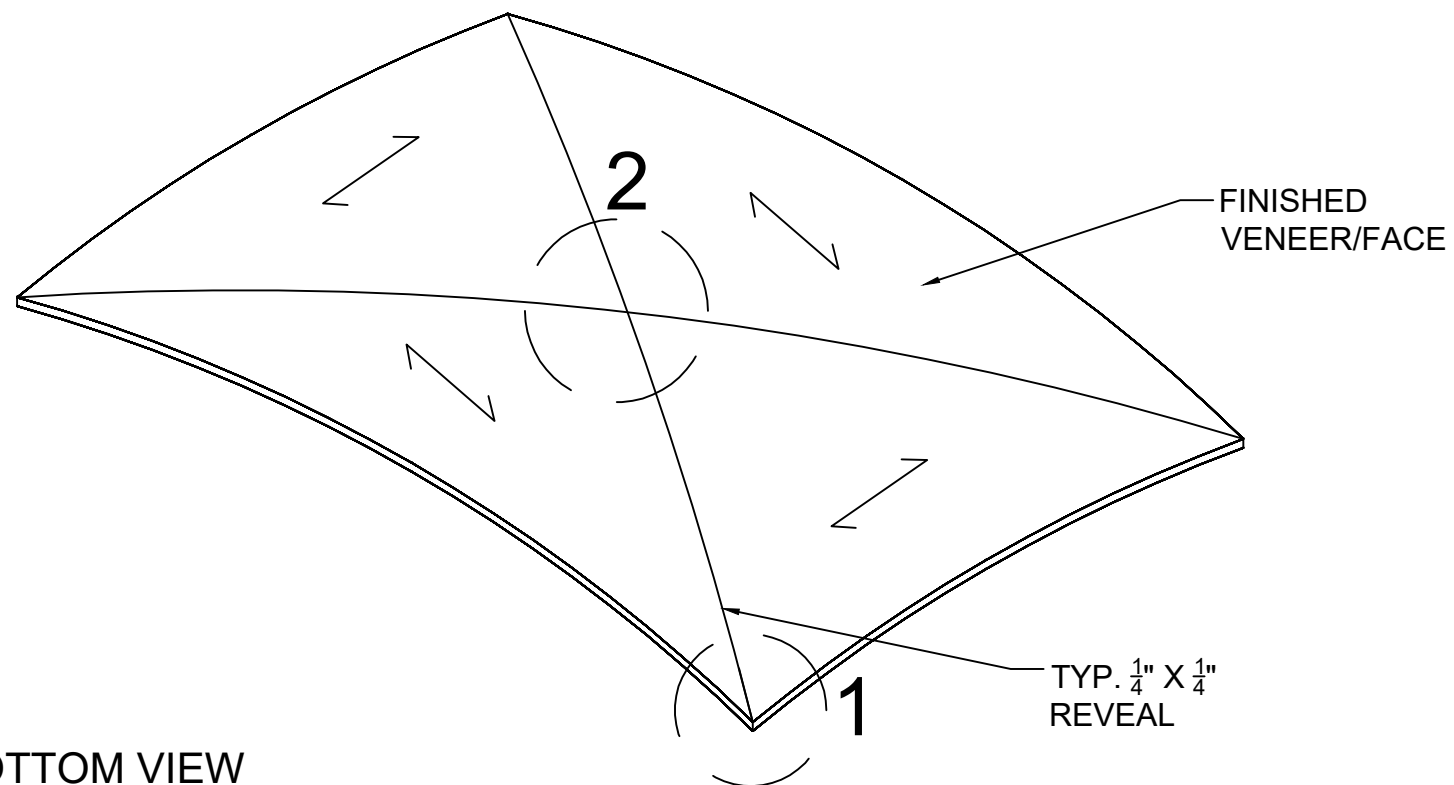
NOTES:

MATERIAL:

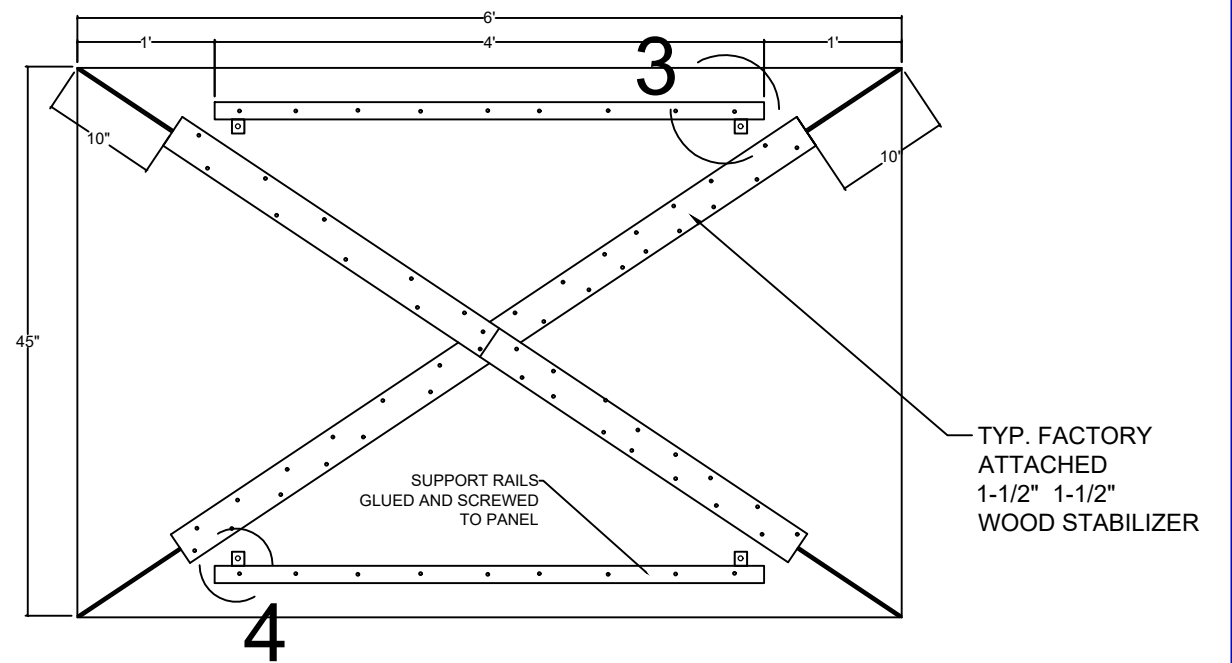
VENEER:

COLOR/SHEEN:

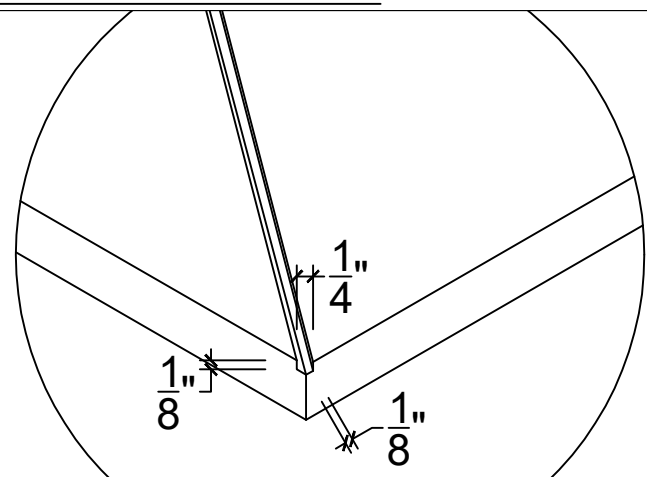
LENGTH/WIDTH/RADUIS:



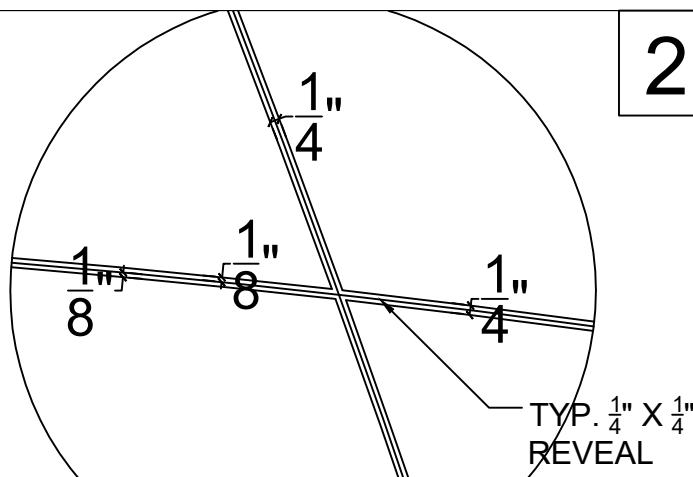
ISO. BOTTOM VIEW



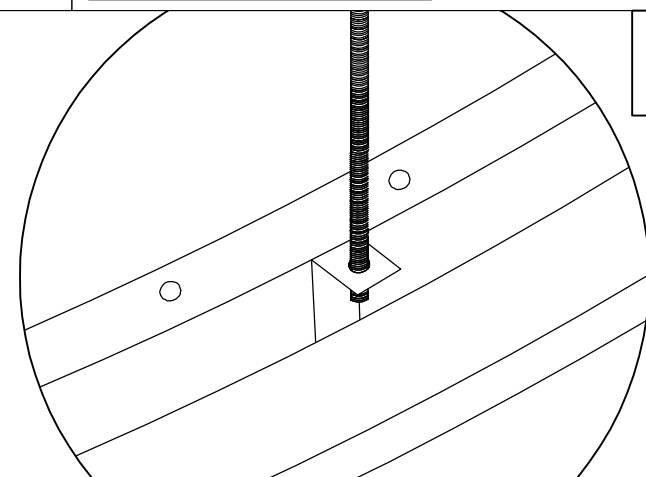
PLAN- TOP VIEW



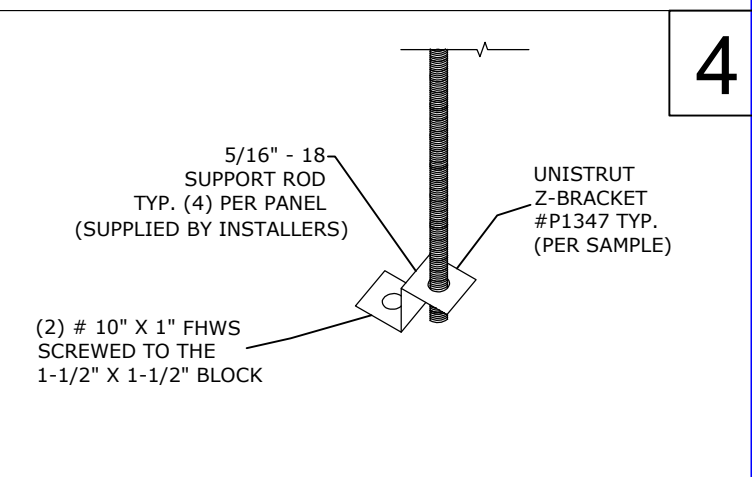
1



2



3



4



**MADRID**

7800 INDUSTRY AVENUE  
PICO RIVERA, CA 90660  
WWW.MADRIDINC.COM

DRAWING TITLE: MADRID COMPOUND REFLECTOR

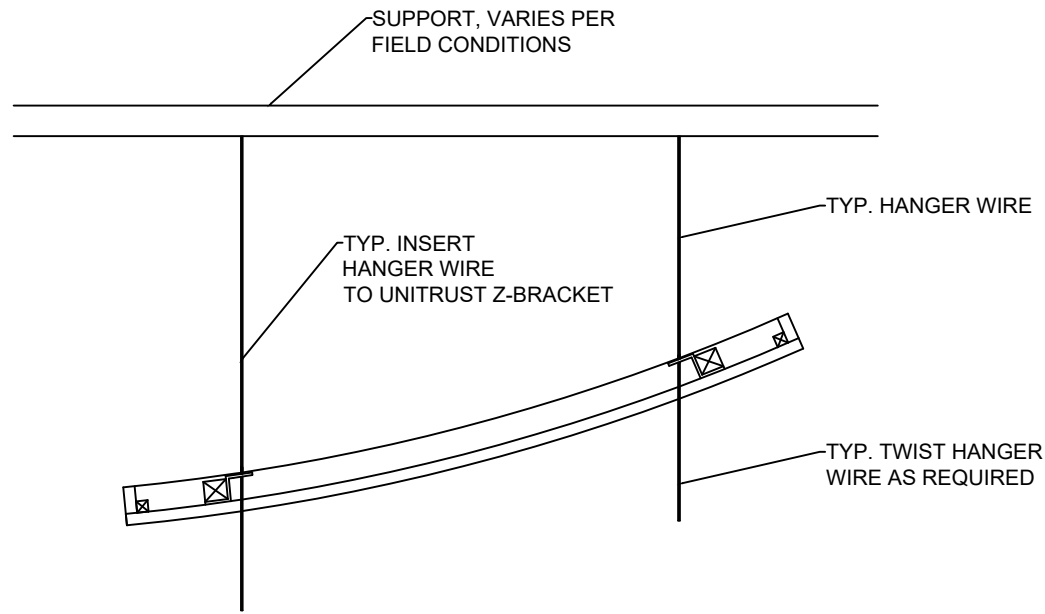
4 C. REFLECTOR

DWG. NO. 1 OF 1

THIS DOCUMENT CONTAINS CONFIDENTIAL AND PROPRIETARY INFORMATION. ALL RECIPIENTS OF THIS DOCUMENT ARE TO PROTECT THE OWNERS DATA FROM USE BY OR TRANSFER TO NON AUTHORIZED PARTIES BY LEGAL MEANS POSSIBLE COPYRIGHT © 2013 CAD DESIGN AND DRAFTING

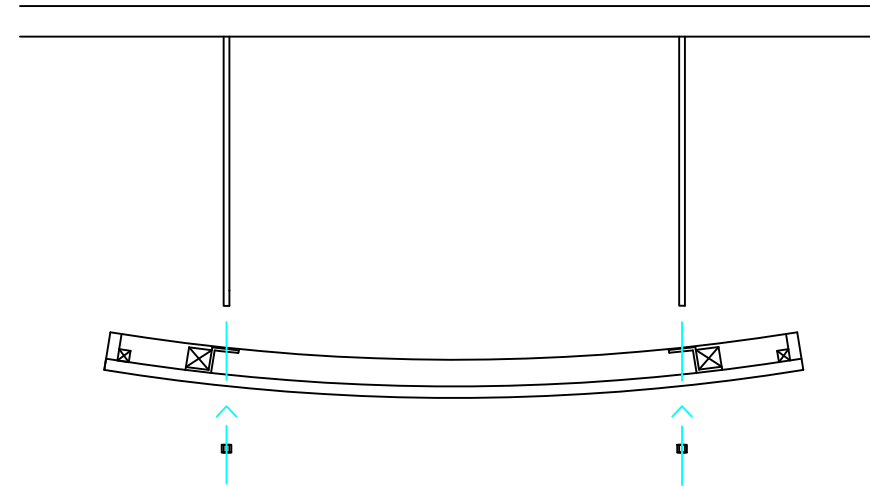
A

### MADRID REFLECTOR INSTALL W/HANGING WIRE

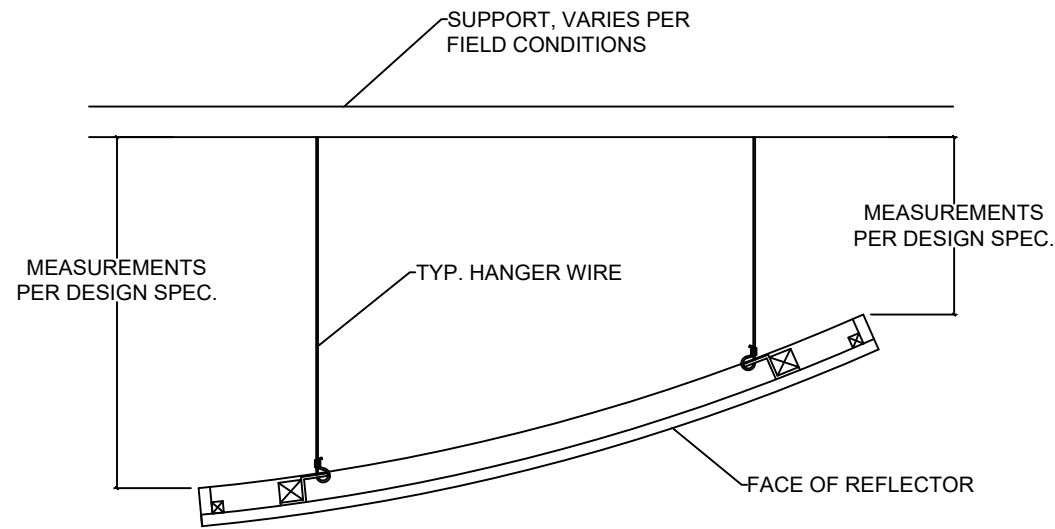


A

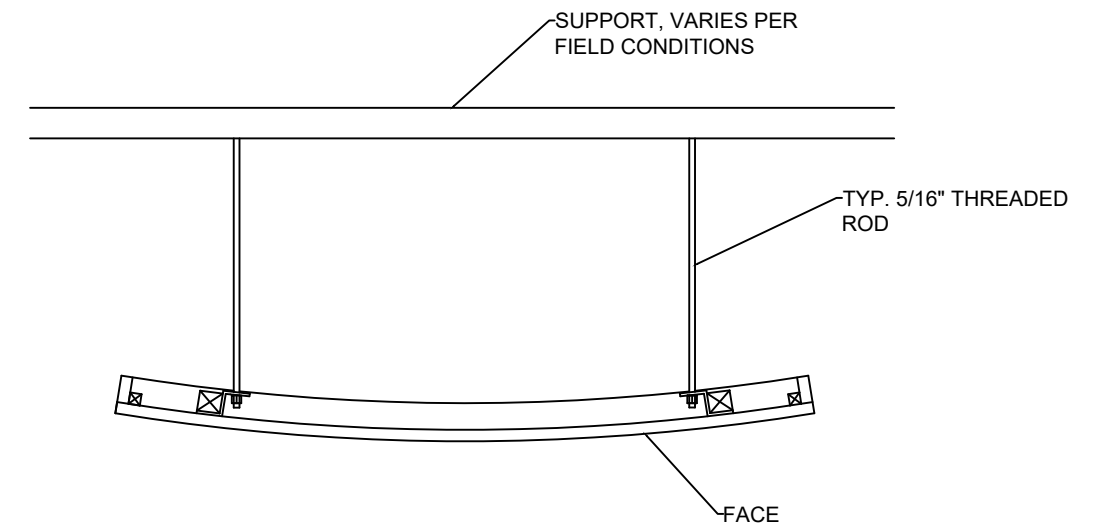
### MADRID REFLECTOR INSTALL W/THREADED ROD



B



B



**MADRID**  
 7800 INDUSTRY AVENUE  
 PICO RIVERA, CA 90660  
 WWW.MADRIDINC.COM

DRAWING TITLE:  
**MADRID REFLECTOR INSTALL GUIDE**

TYP. GUIDE

DWG. NO.  
 1 OF 1

THIS DOCUMENT CONTAINS CONFIDENTIAL AND PROPRIETARY INFORMATION.  
 ALL RECIPIENTS OF THIS DOCUMENT ARE TO PROTECT THE OWNERS DATA FROM USE BY OR TRANSFER  
 TO NON AUTHORIZED PARTIES BY LEGAL MEANS POSSIBLE COPYRIGHT © 2013 CAD DESIGN AND DRAFTING