

SIDE VIEW

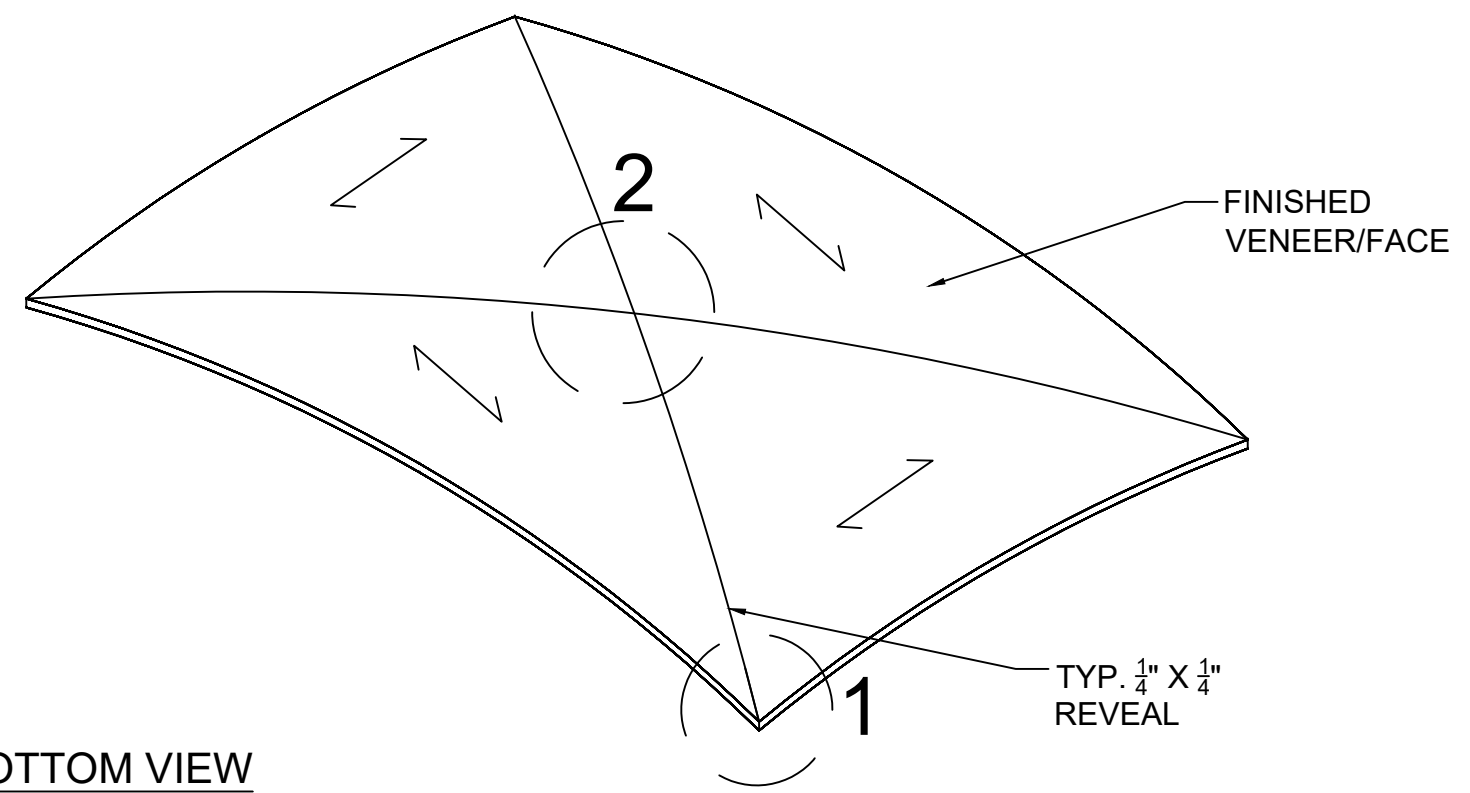
NOTES:

MATERIAL:

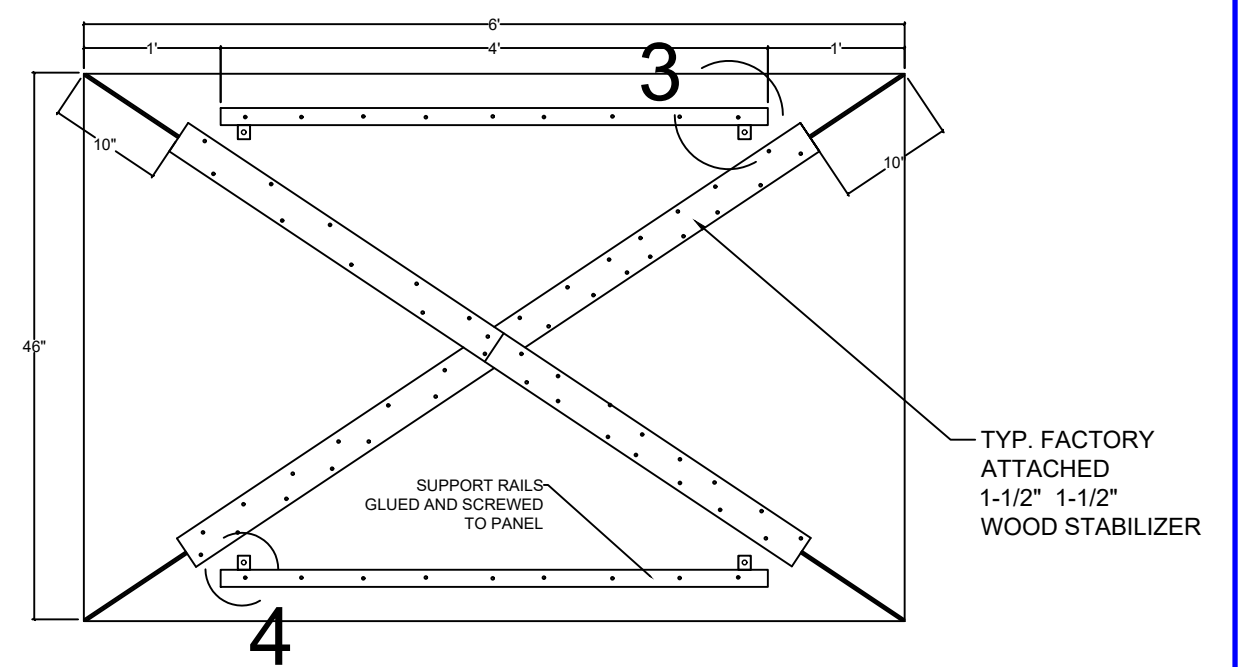
VENEER:

COLOR/SHEEN:

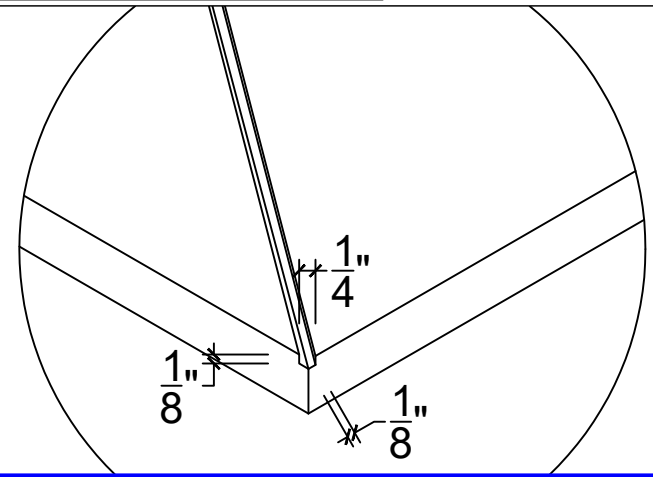
LENGTH/WIDTH/RADUIS:



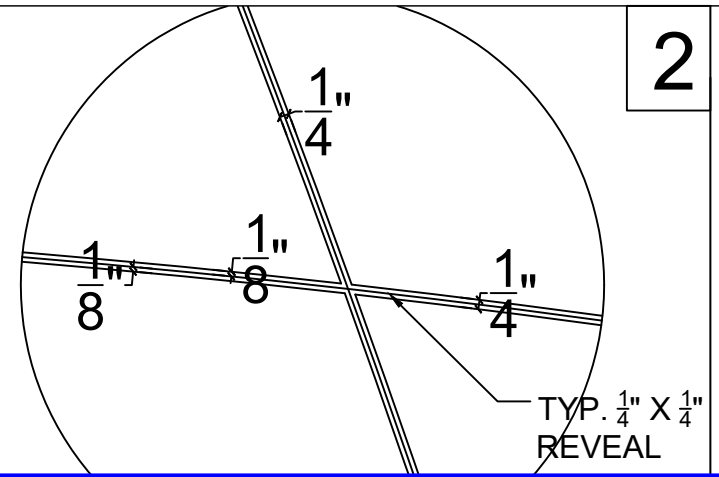
ISO. BOTTOM VIEW



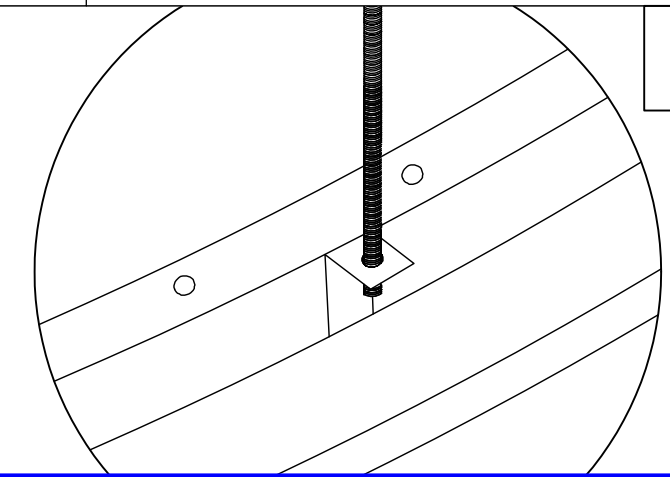
PLAN- TOP VIEW



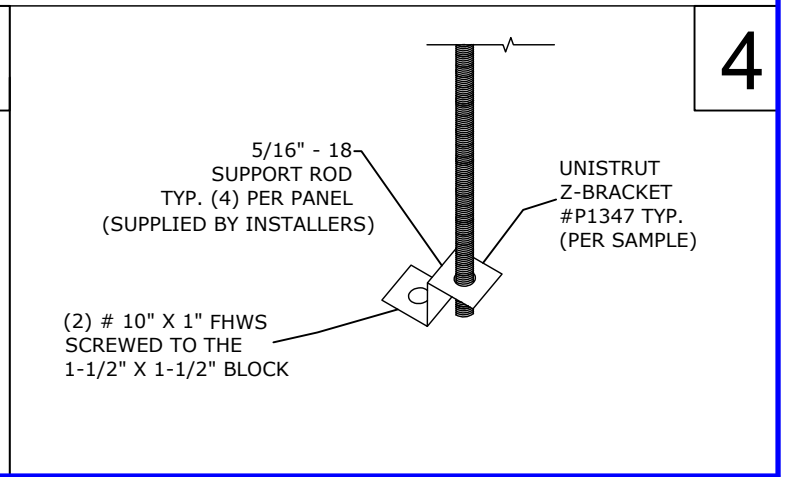
1



2



3



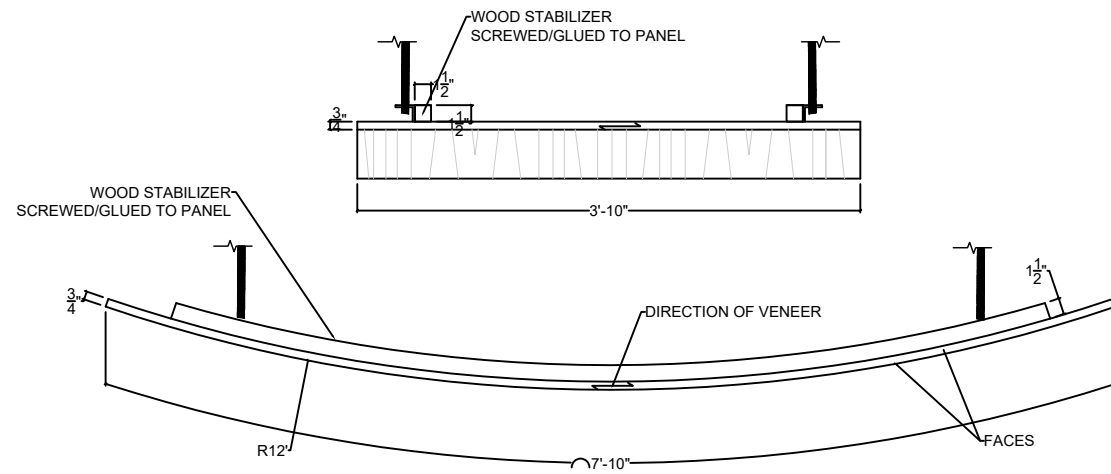
4



MADRID
7800 INDUSTRY AVENUE
PICO RIVERA, CA 90660
WWW.MADRIDINC.COM

DRAWING TITLE: MADRID COMPOUND REFLECTOR	
4 C. REFLECTOR	DWG. NO. 1 OF 1

THIS DOCUMENT CONTAINS CONFIDENTIAL AND PROPRIETARY INFORMATION.
ALL RECIPIENTS OF THIS DOCUMENT ARE TO PROTECT THE OWNERS DATA FROM USE BY OR TRANSFER
TO NON AUTHORIZED PARTIES BY LEGAL MEANS POSSIBLE COPYRIGHT © 2013 CAD DESIGN AND DRAFTING



SIDE VIEW

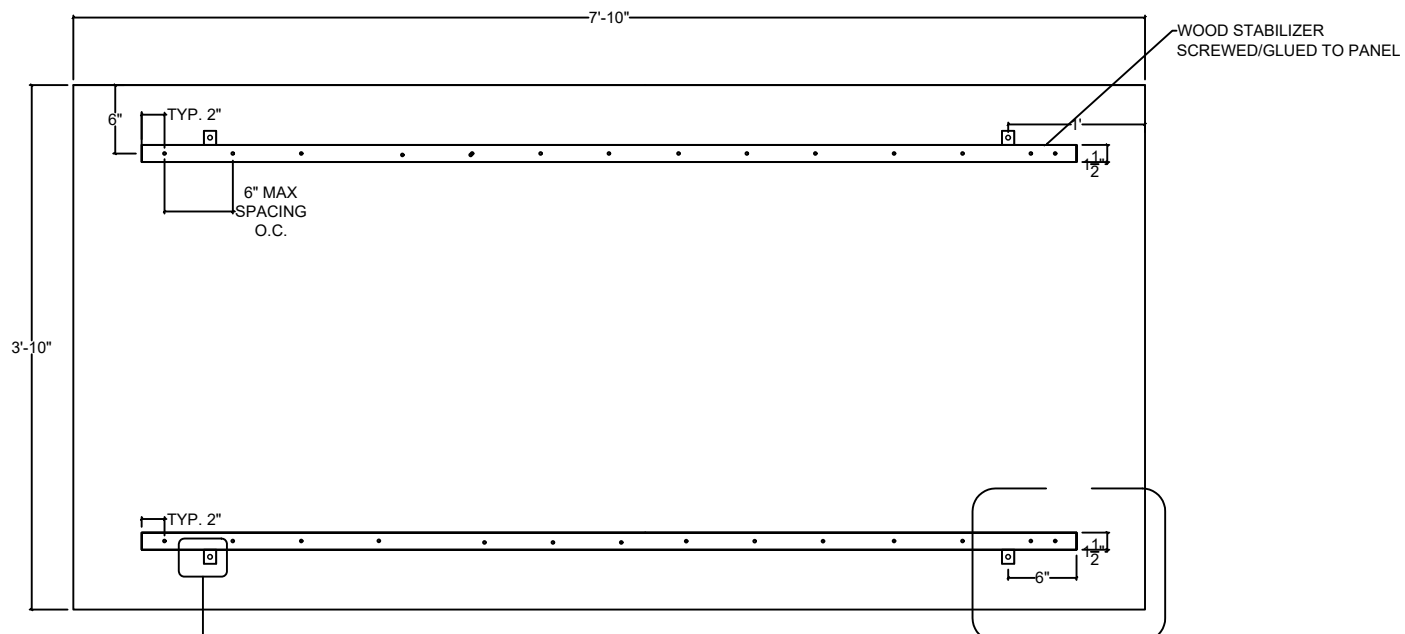
NOTES:

MATERIAL:

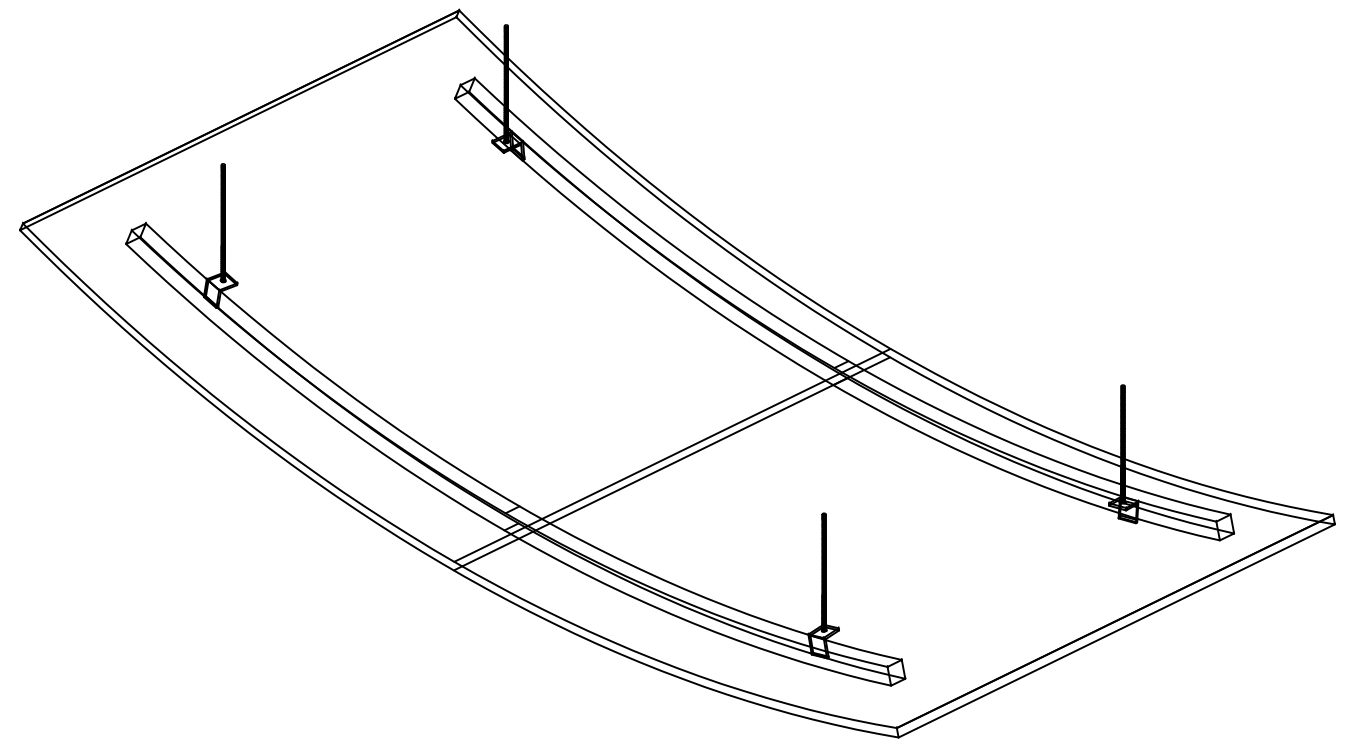
VENEER:

COLOR/SHEEN:

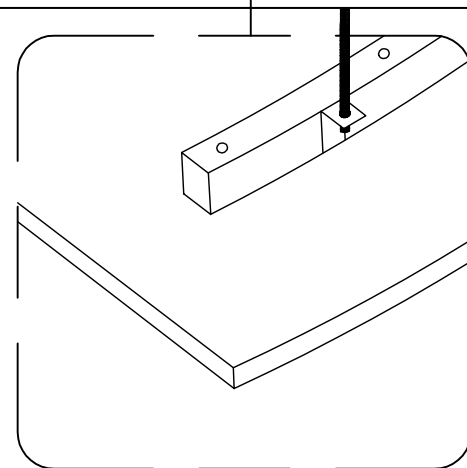
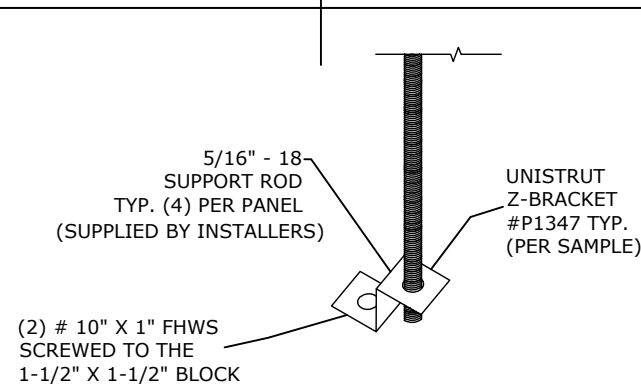
LENGTH/WIDTH/RADIUS:



PLAN-TOP VIEW



ISOMETRIC VIEW



MADRID

7800 INDUSTRY AVENUE
PICO RIVERA, CA 90660
WWW.MADRIDINC.COM

DRAWING TITLE:

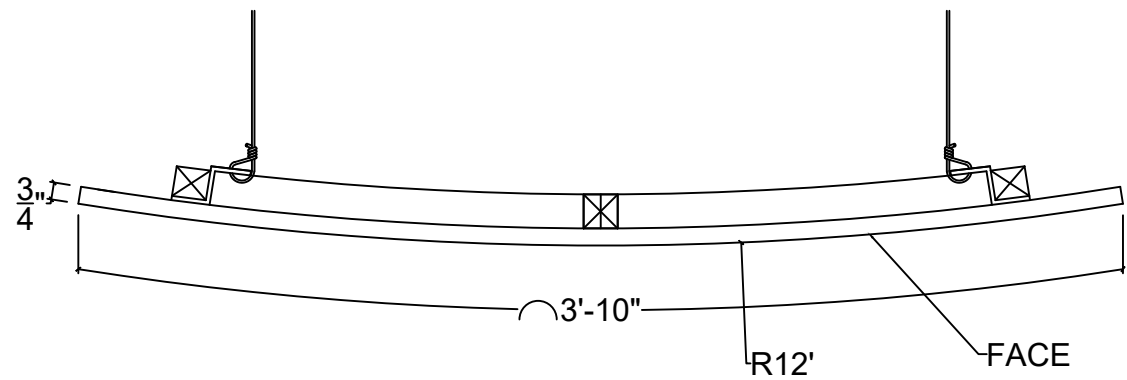
MADRID ³/₄" EDGE REFLECTOR

CEILING REFLECTOR

DWG. NO.

1 OF 1

THIS DOCUMENT CONTAINS CONFIDENTIAL AND PROPRIETARY INFORMATION. ALL RECIPIENTS OF THIS DOCUMENT ARE TO PROTECT THE OWNERS DATA FROM USE BY OR TRANSFER TO NON AUTHORIZED PARTIES BY LEGAL MEANS POSSIBLE COPYRIGHT © 2013 CAD DESIGN AND DRAFTING



SIDE VIEW

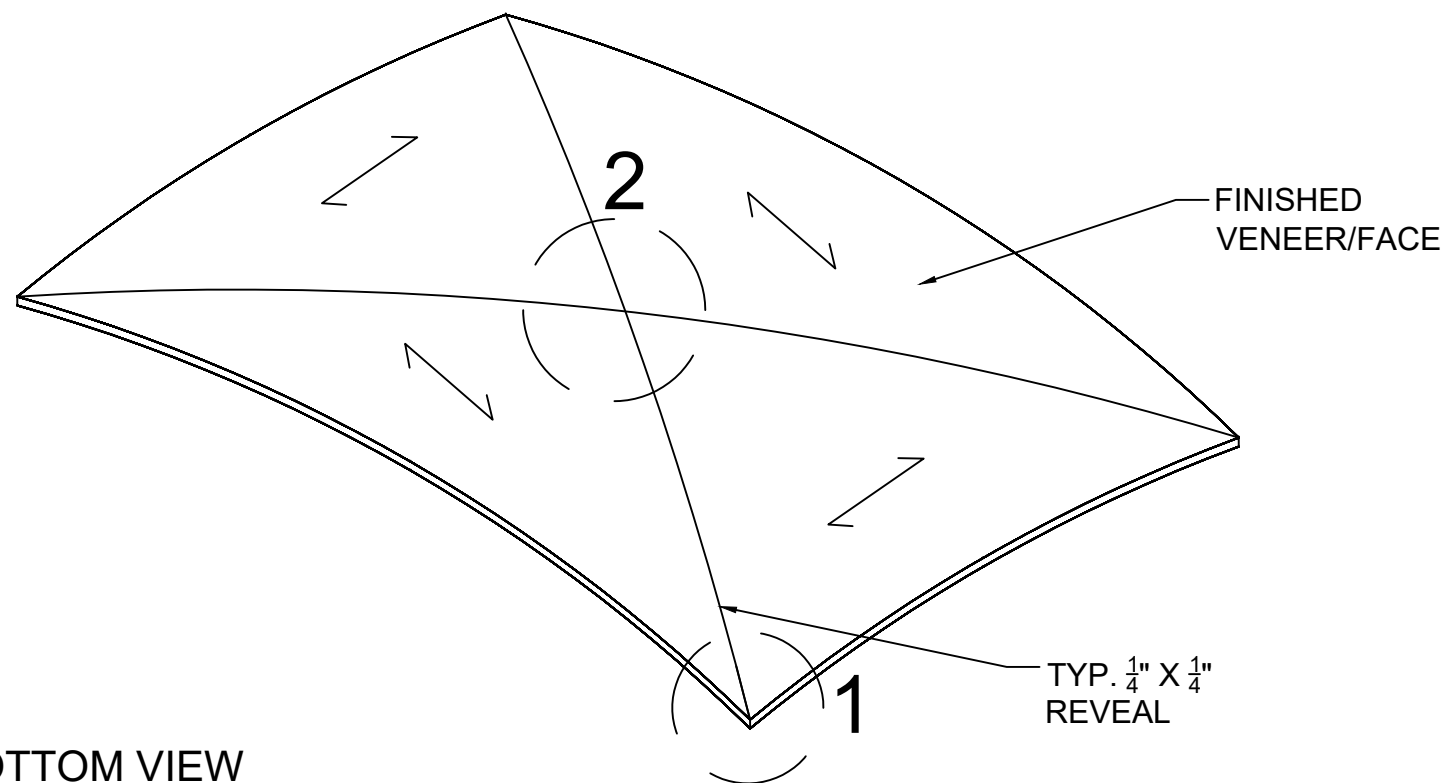
NOTES:

MATERIAL:

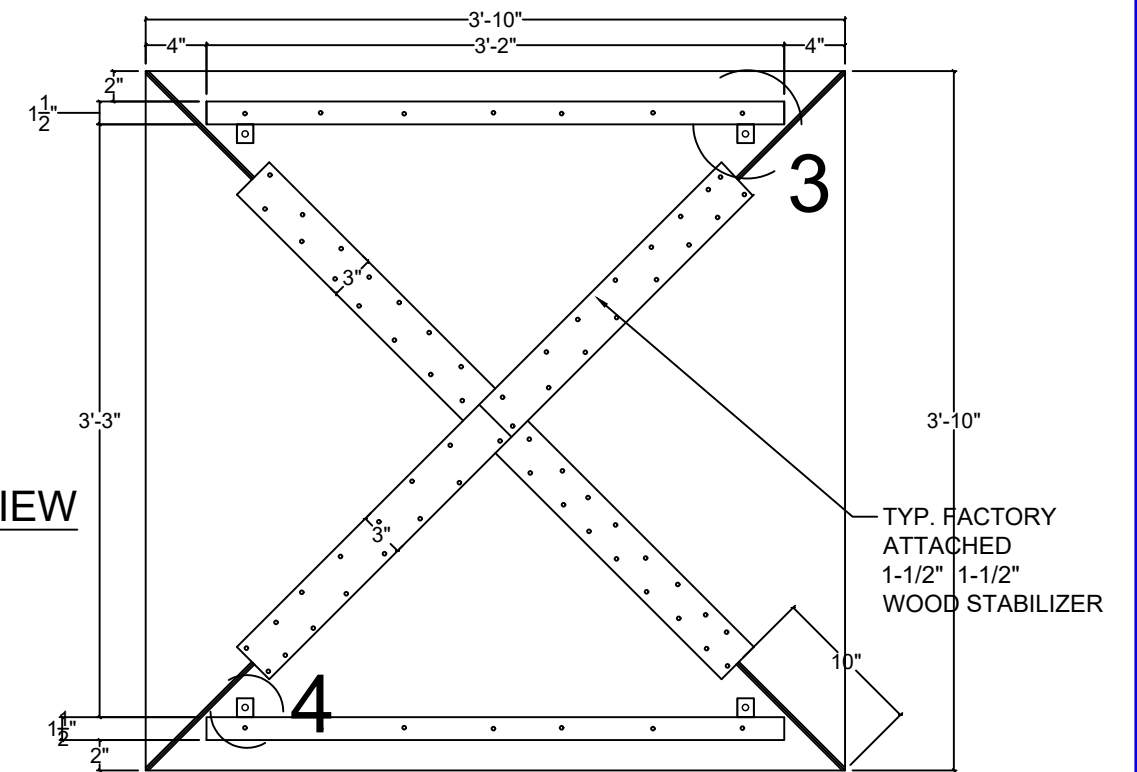
VENEER:

COLOR/SHEEN:

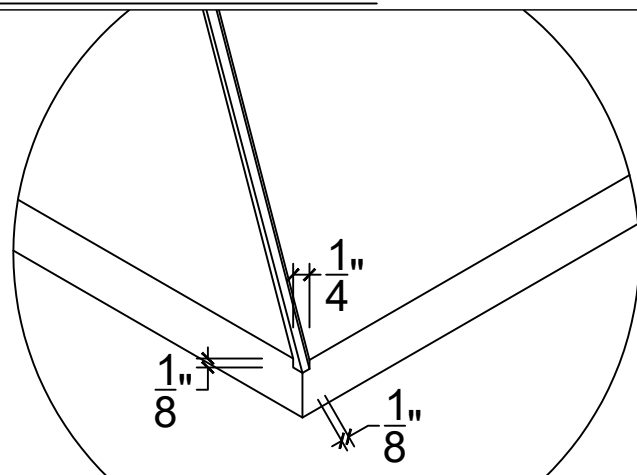
LENGTH/WIDTH/RADIUS:



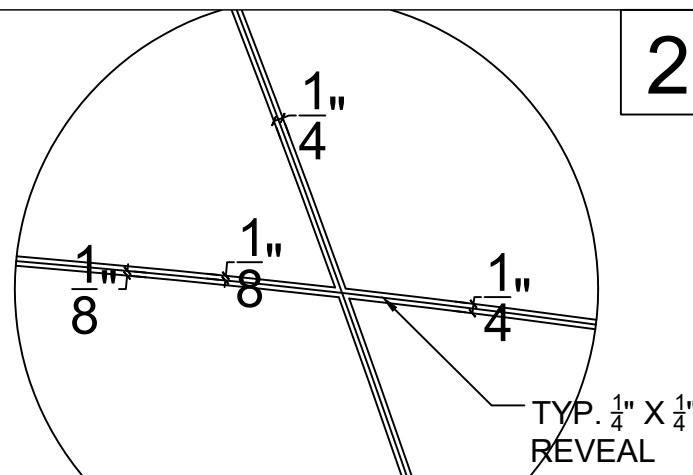
ISO. BOTTOM VIEW



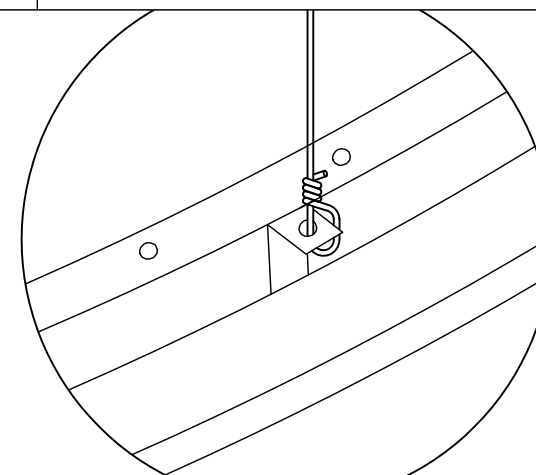
PLAN-TOP VIEW



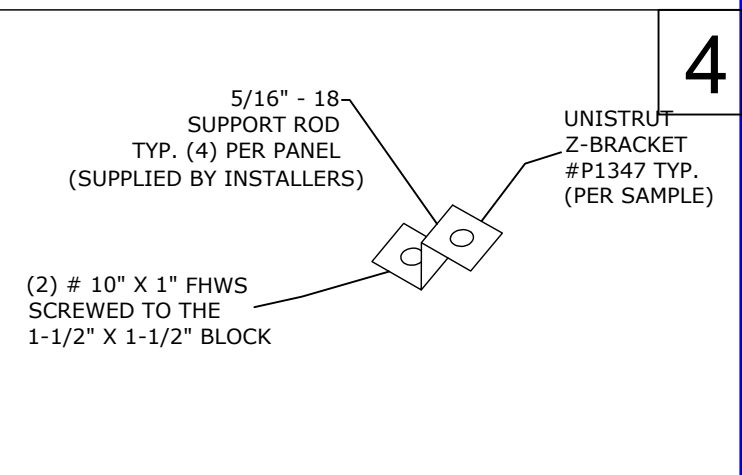
1



2



3



4



MADRID

7800 INDUSTRY AVENUE
PICO RIVERA, CA 90660
WWW.MADRIDINC.COM

DRAWING TITLE:

MADRID COMPOUND REFLECTOR

4 C. REFLECTOR

DWG. NO.

1 OF 1

THIS DOCUMENT CONTAINS CONFIDENTIAL AND PROPRIETARY INFORMATION.
ALL RECIPIENTS OF THIS DOCUMENT ARE TO PROTECT THE OWNERS DATA FROM USE BY OR TRANSFER
TO NON AUTHORIZED PARTIES BY LEGAL MEANS POSSIBLE COPYRIGHT © 2013 CAD DESIGN AND DRAFTING