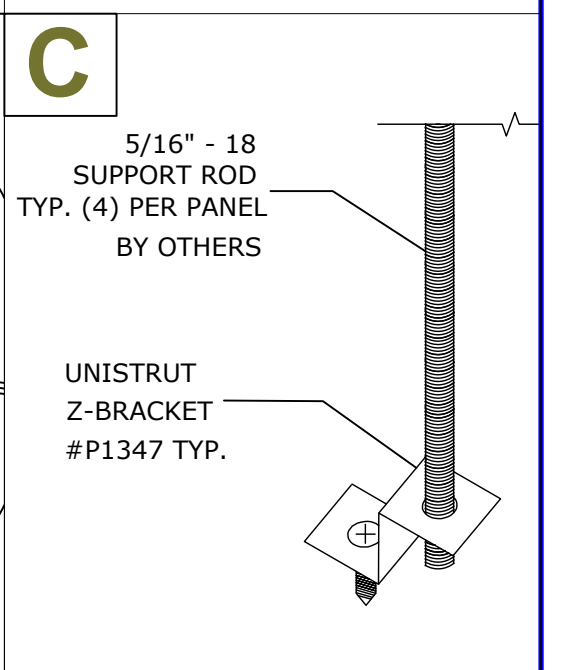
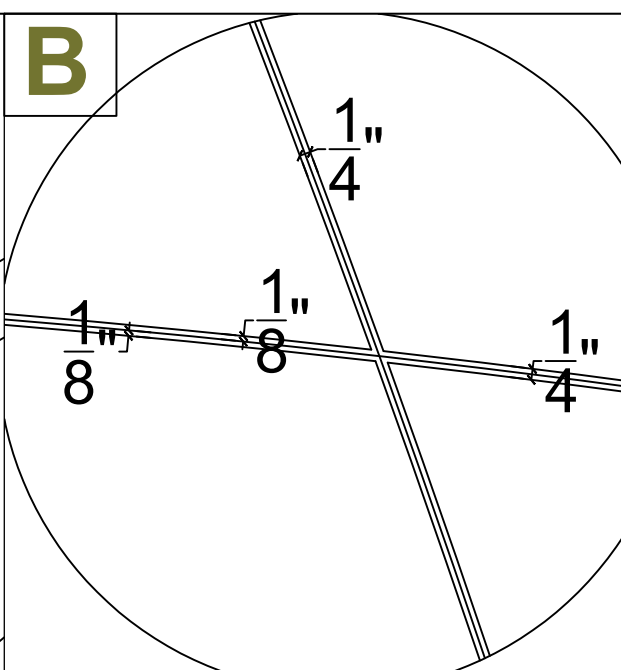
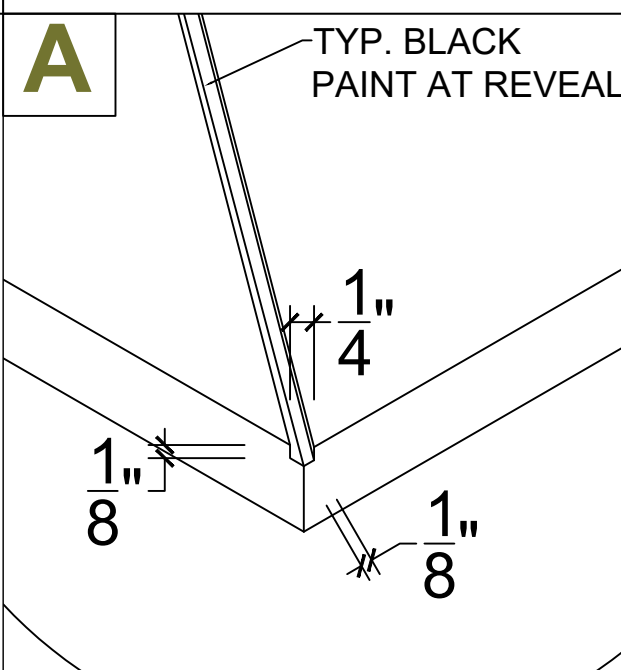
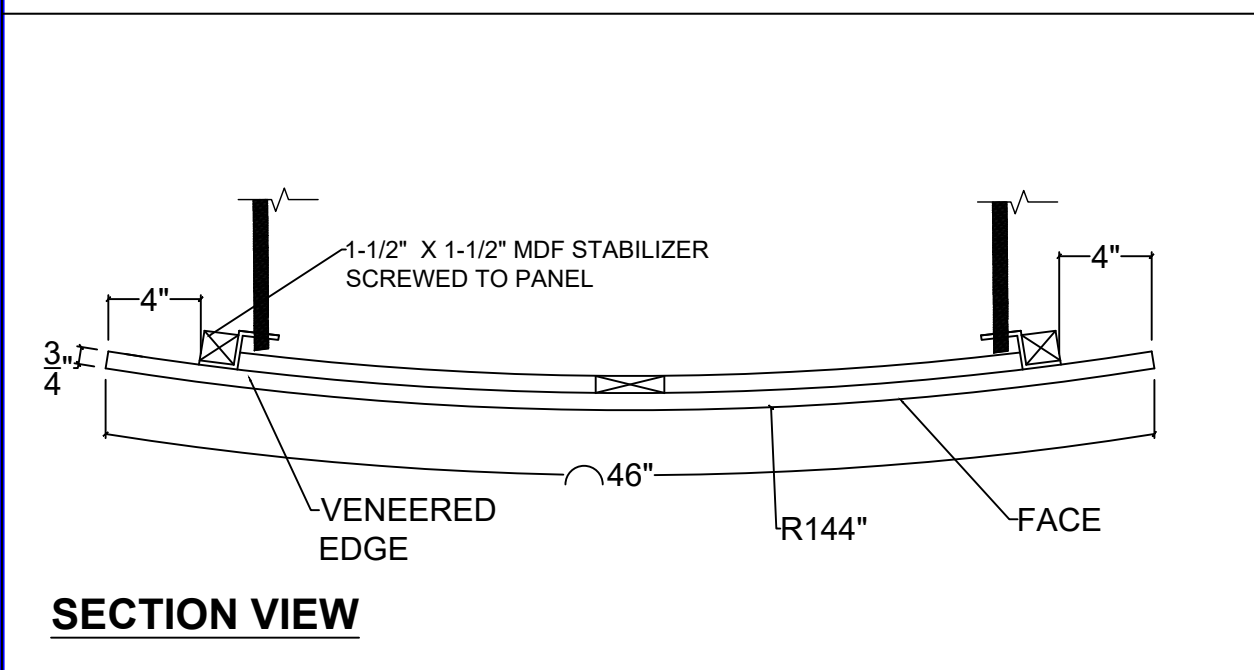
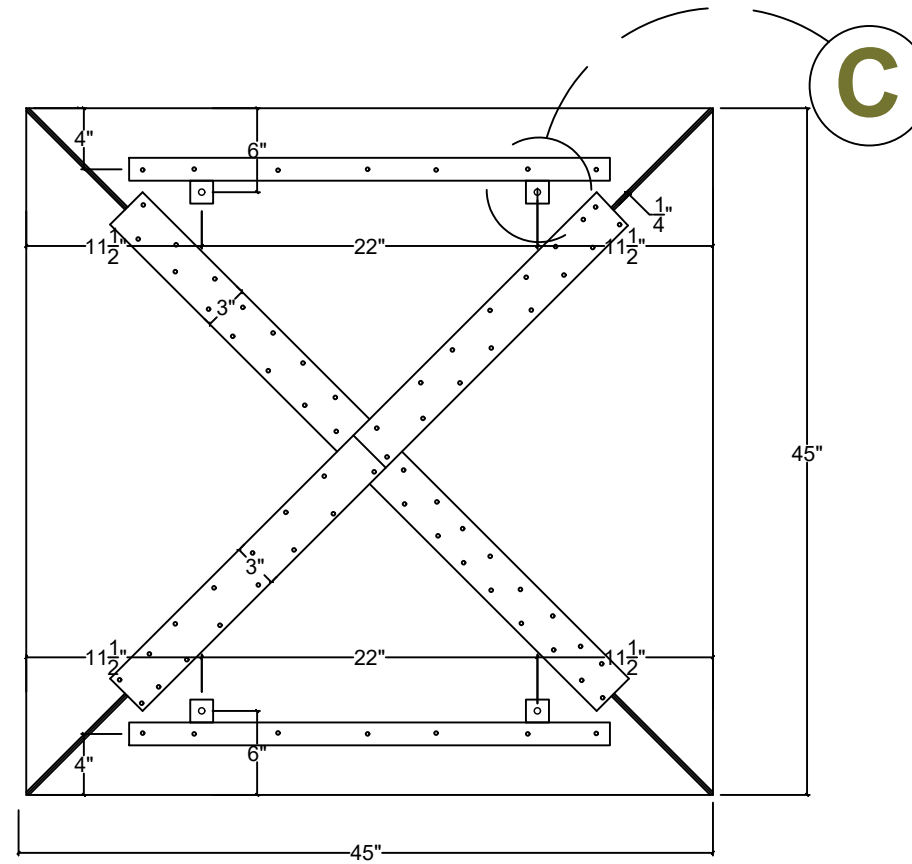
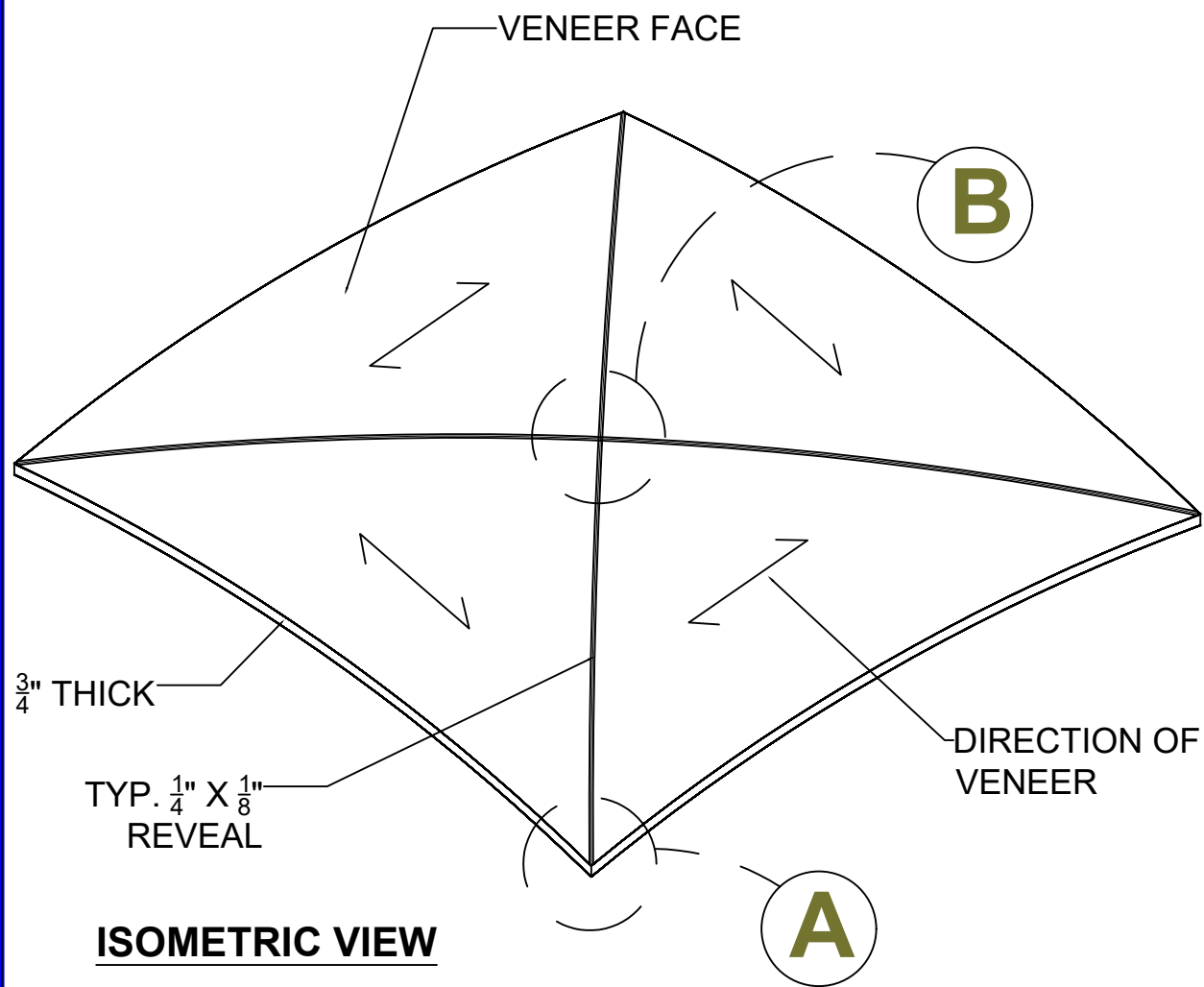


MADRID DOUBLE CURVE REFLECTOR

VENEER FACE:

COLOR:

FINISH:



MADRID

7800 INDUSTRY AVENUE
PICO RIVERA, CA 90660
WWW.MADRIDINC.COM

DRAWING TITLE: 46" X 46" COMPOUND REFLECTORS

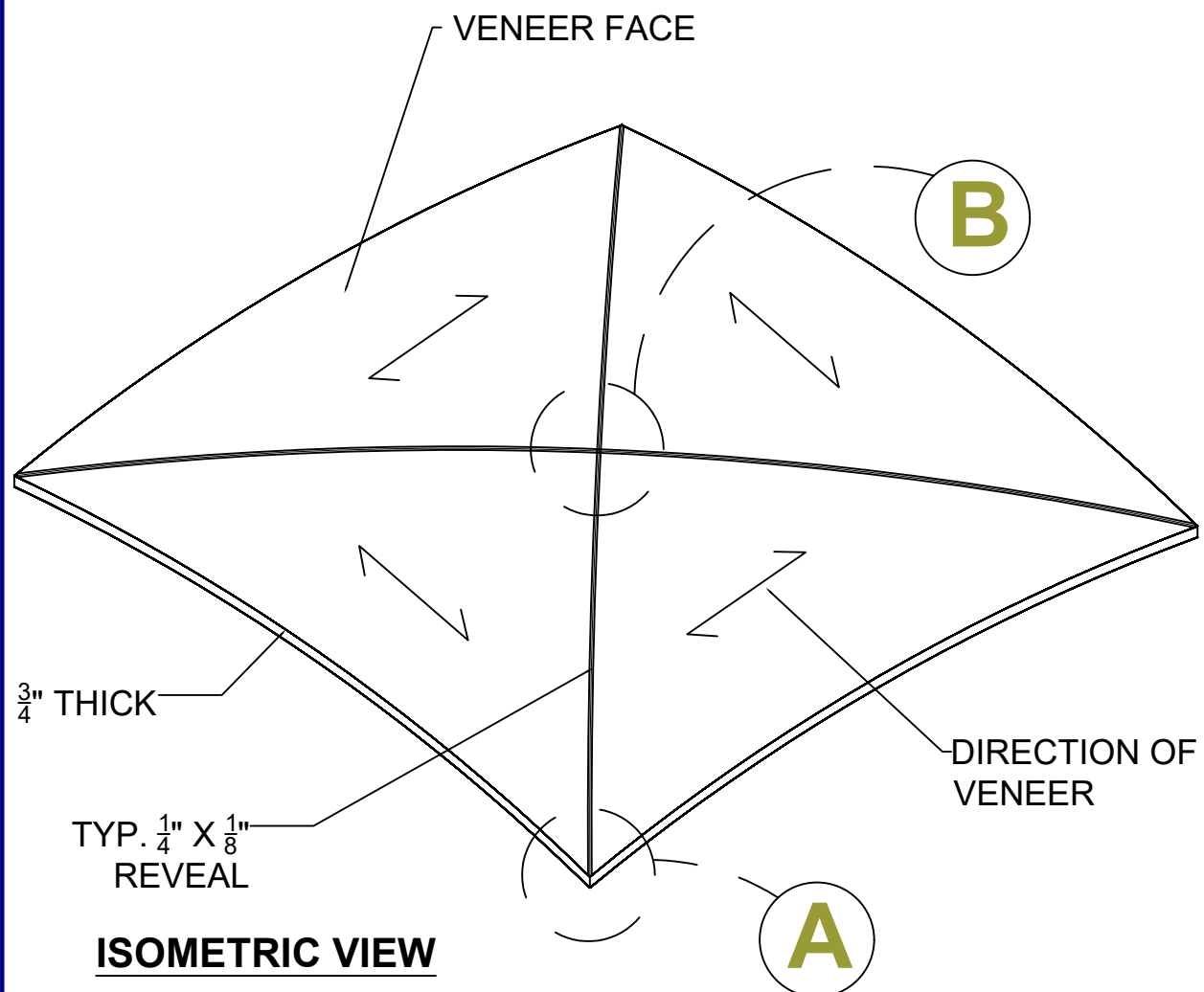
REFLECTOR

DWG. NO. 1 OF 1

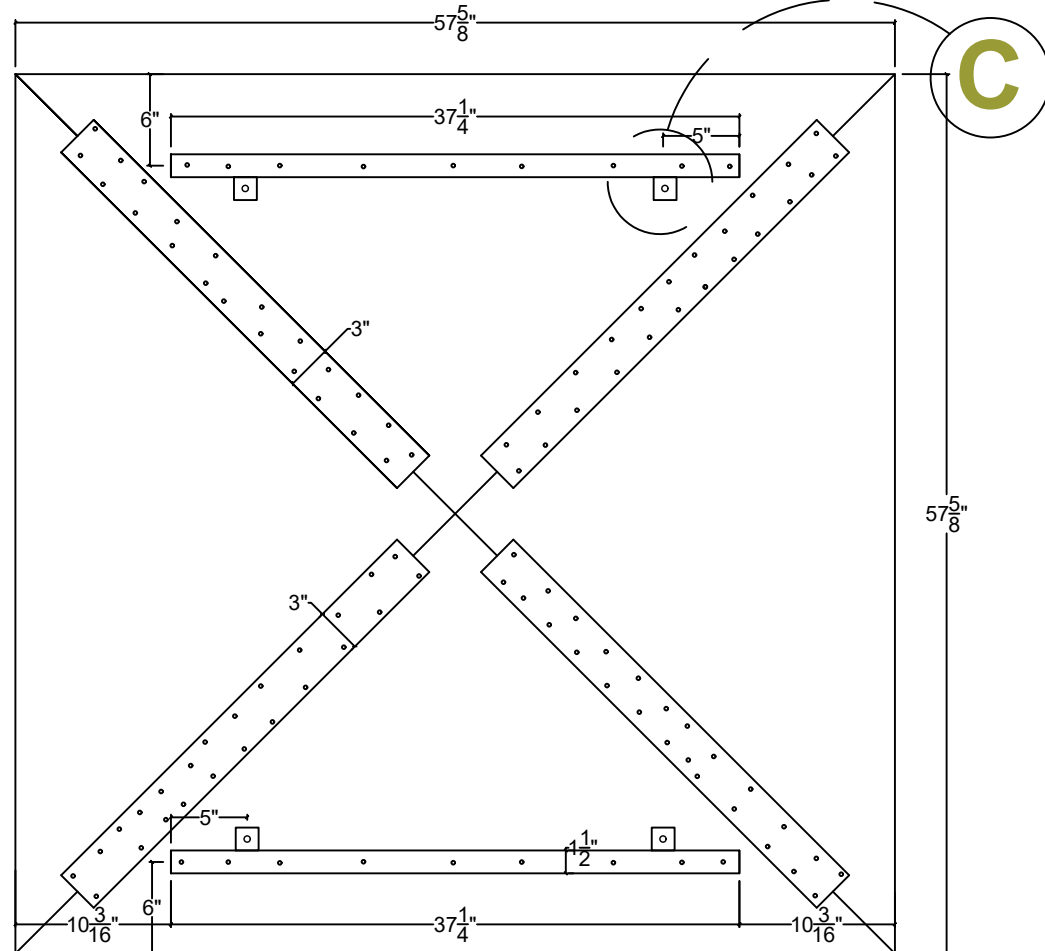
THIS DOCUMENT CONTAINS CONFIDENTIAL AND PROPRIETARY INFORMATION. ALL RECIPIENTS OF THIS DOCUMENT ARE TO PROTECT THE OWNERS DATA FROM USE BY OR TRANSFER TO NON AUTHORIZED PARTIES BY LEGAL MEANS POSSIBLE COPYRIGHT © 2013 CAD DESIGN AND DRAFTING

MADRID DOUBLE CURVE REFLECTOR

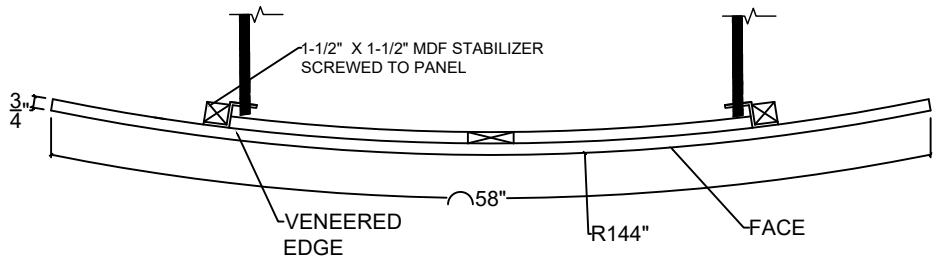
VENEER FACE:
 COLOR:
 FINISH:



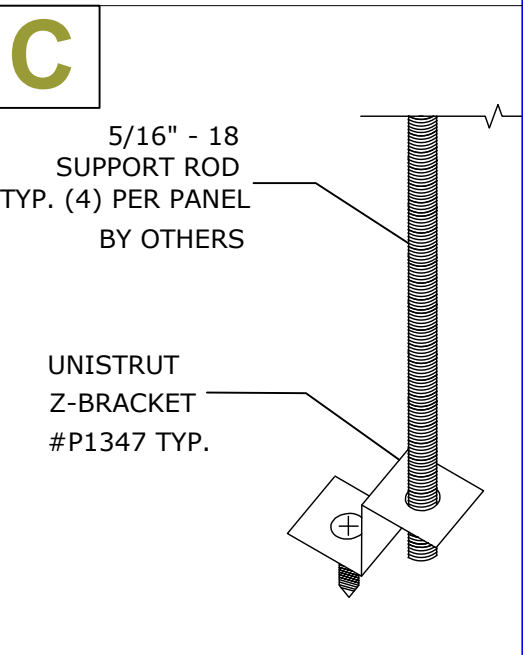
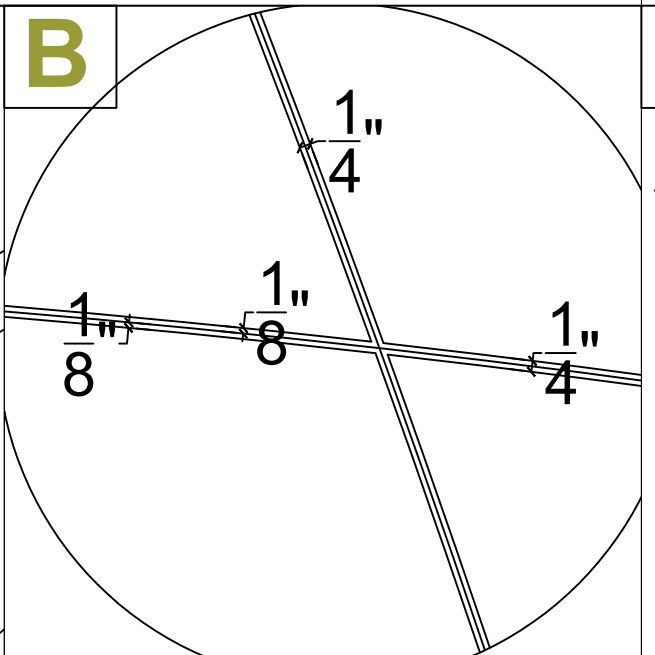
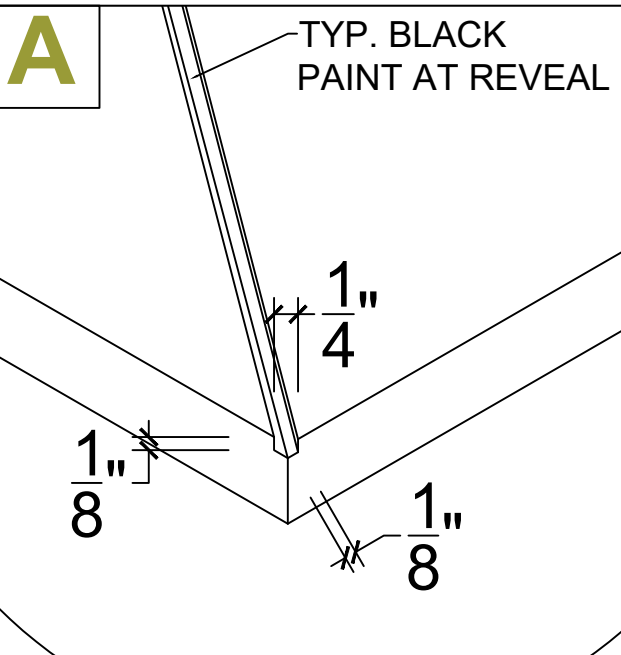
ISOMETRIC VIEW



TOP VIEW



SECTION VIEW



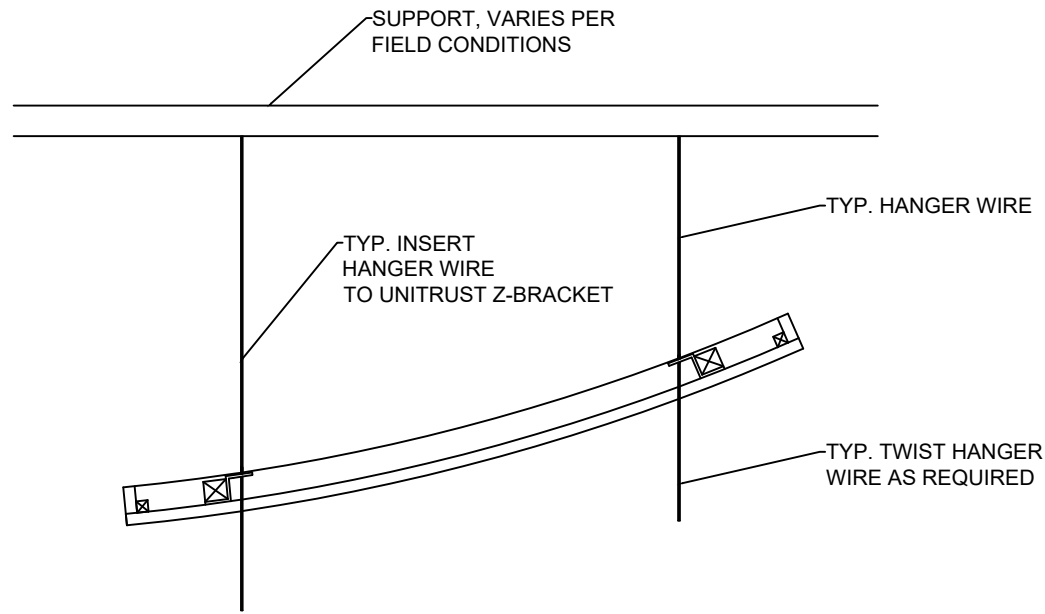

MADRID
 7800 INDUSTRY AVENUE
 PICO RIVERA, CA 90660
 WWW.MADRIDINC.COM

DRAWING TITLE: 58" X 58" COMPOUND REFLECTORS	
REFLECTOR	DWG. NO. 1 OF 1

THIS DOCUMENT CONTAINS CONFIDENTIAL AND PROPRIETARY INFORMATION. ALL RECIPIENTS OF THIS DOCUMENT ARE TO PROTECT THE OWNERS DATA FROM USE BY OR TRANSFER TO NON AUTHORIZED PARTIES BY LEGAL MEANS POSSIBLE COPYRIGHT © 2013 CAD DESIGN AND DRAFTING

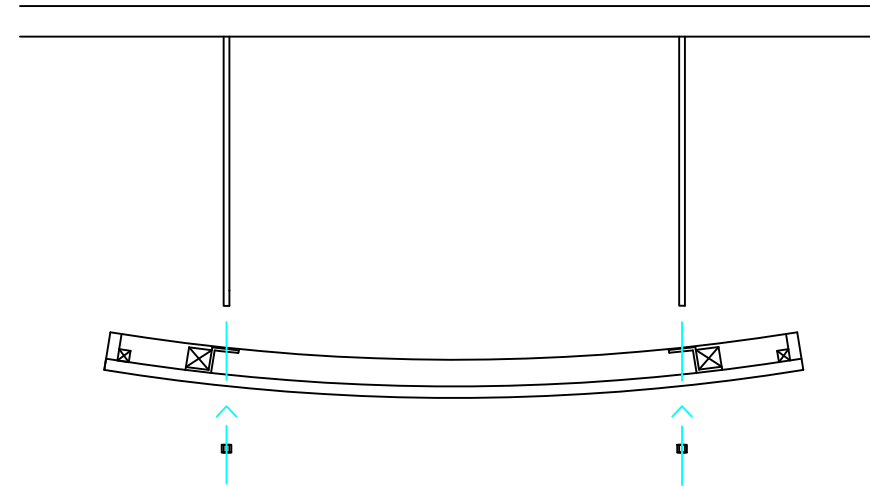
A

MADRID REFLECTOR INSTALL W/HANGING WIRE

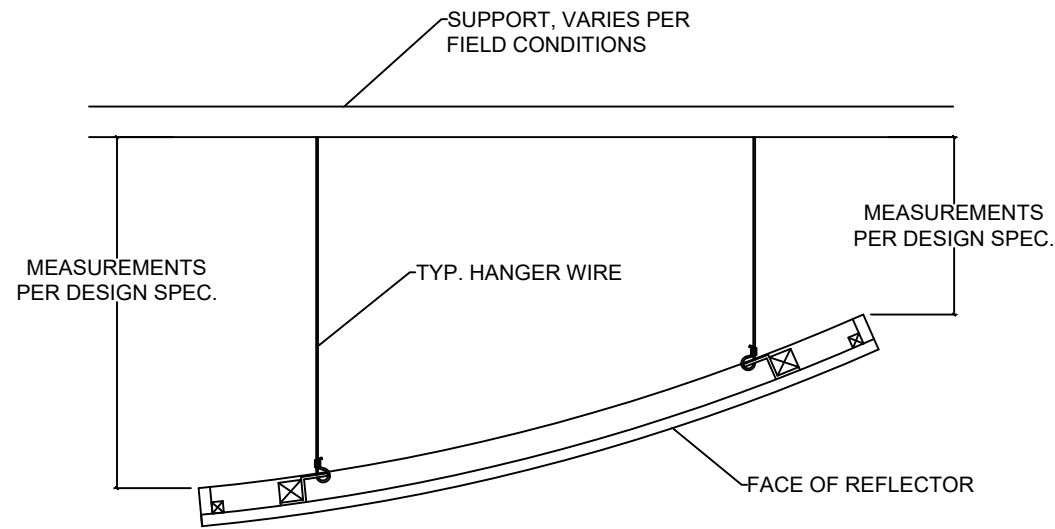


A

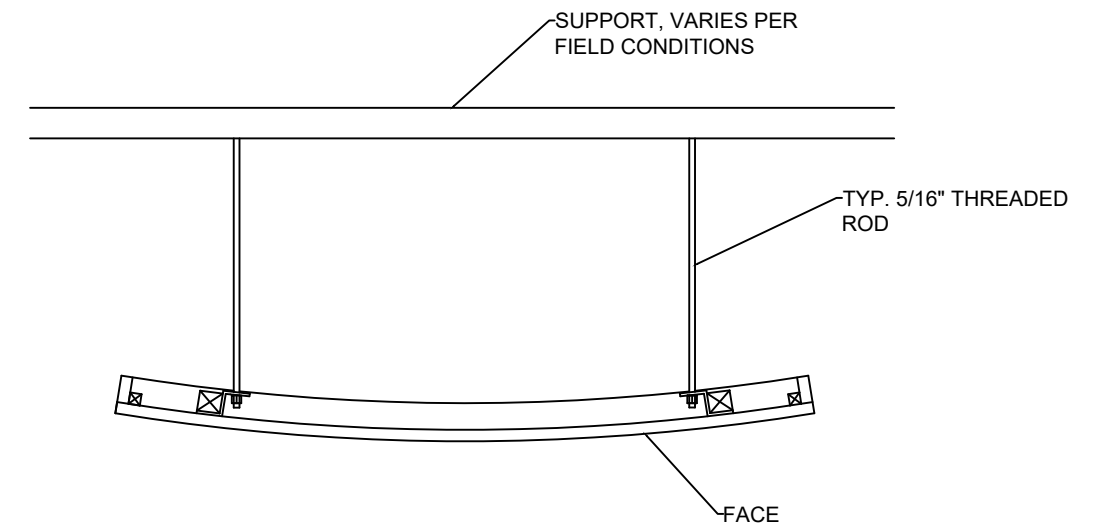
MADRID REFLECTOR INSTALL W/THREADED ROD



B



B



MADRID
 7800 INDUSTRY AVENUE
 PICO RIVERA, CA 90660
 WWW.MADRIDINC.COM

DRAWING TITLE:
MADRID REFLECTOR INSTALL GUIDE

TYP. GUIDE

DWG. NO.
 1 OF 1

THIS DOCUMENT CONTAINS CONFIDENTIAL AND PROPRIETARY INFORMATION.
 ALL RECIPIENTS OF THIS DOCUMENT ARE TO PROTECT THE OWNERS DATA FROM USE BY OR TRANSFER
 TO NON AUTHORIZED PARTIES BY LEGAL MEANS POSSIBLE COPYRIGHT © 2013 CAD DESIGN AND DRAFTING