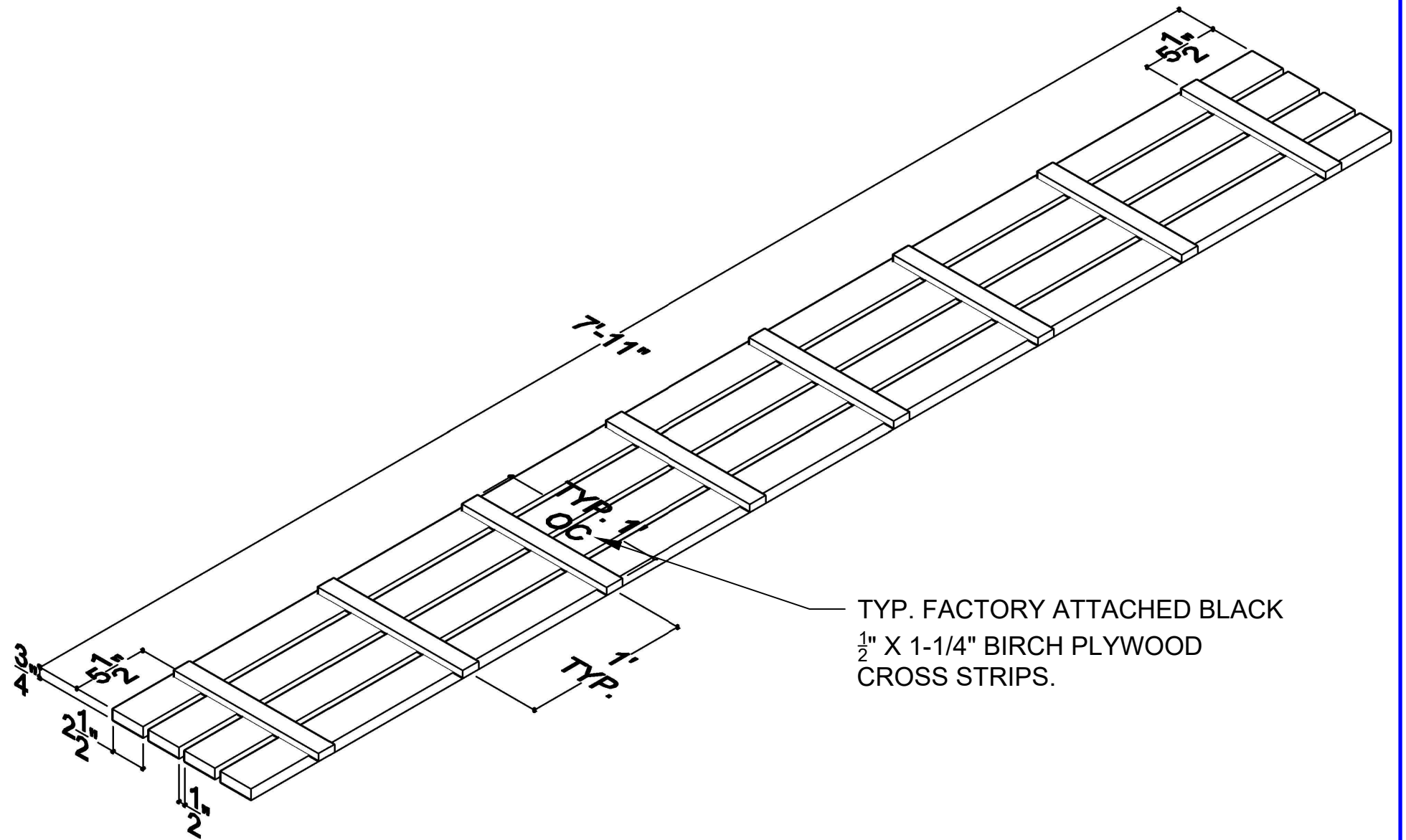


VARIES BLADES SIZES- DETAIL VIEW



ISOMETRIC VIEW

10088-62



MADRID

7800 INDUSTRY AVENUE
PICO RIVERA, CA 90660
WWW.MADRIDINC.COM

DRAWING TITLE: **LINEAR GRILLE PANELS**

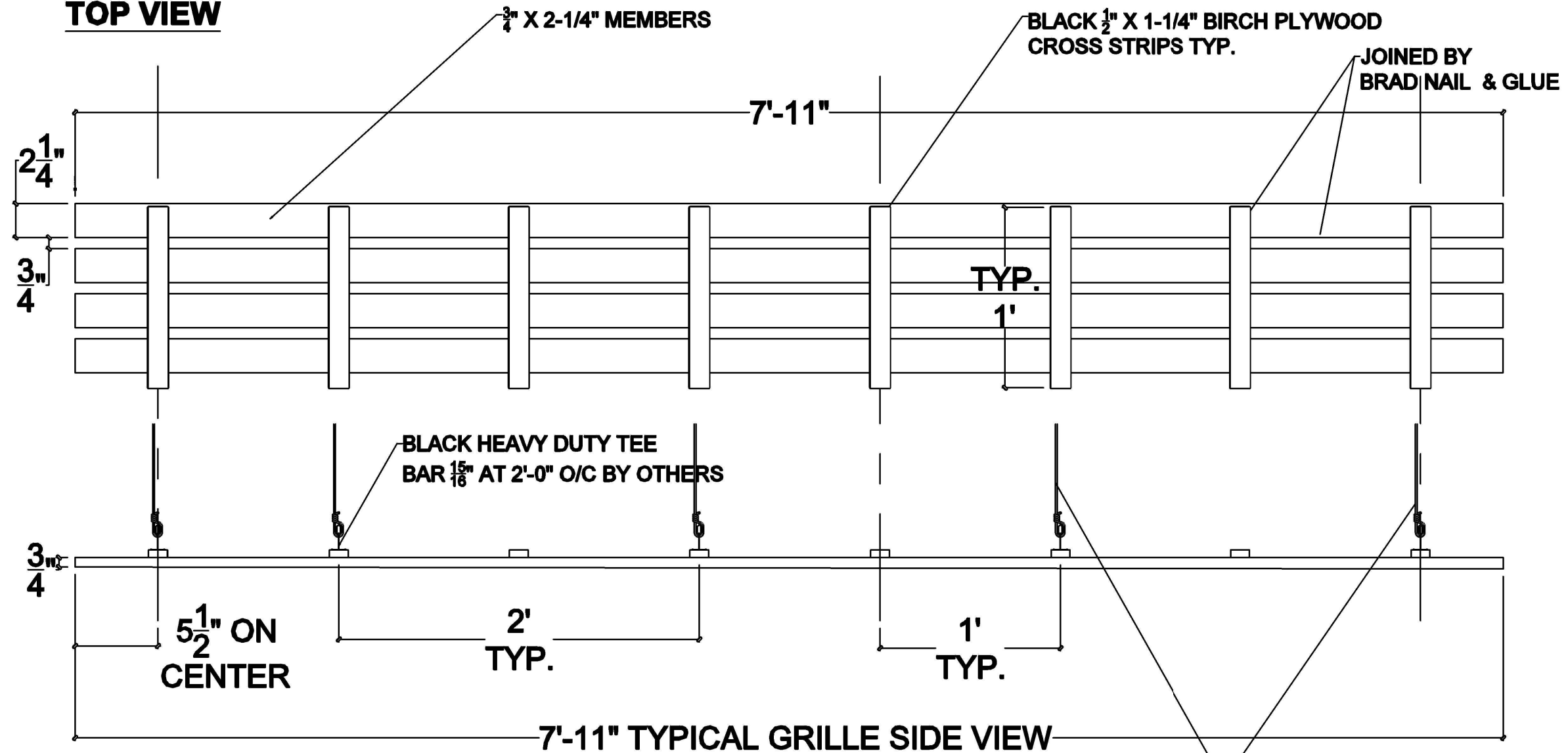
VARIES BLADES SIZES

DWG. NO.

1 OF 3

THIS DOCUMENT CONTAINS CONFIDENTIAL AND PROPRIETARY INFORMATION.
ALL RECIPIENTS OF THIS DOCUMENT ARE TO PROTECT THE OWNERS DATA FROM USE BY OR TRANSFER
TO NON AUTHORIZED PARTIES BY LEGAL MEANS POSSIBLE COPYRIGHT © 2013 CAD DESIGN AND DRAFTING

TOP VIEW



SIDE ELEVATION

12 GA BLACK WIRE HANGERS AT 2'-0" O/C - BY OTHERS

10088-63



MADRID
7800 INDUSTRY AVENUE
PICO RIVERA, CA 90660
WWW.MADRIDINC.COM

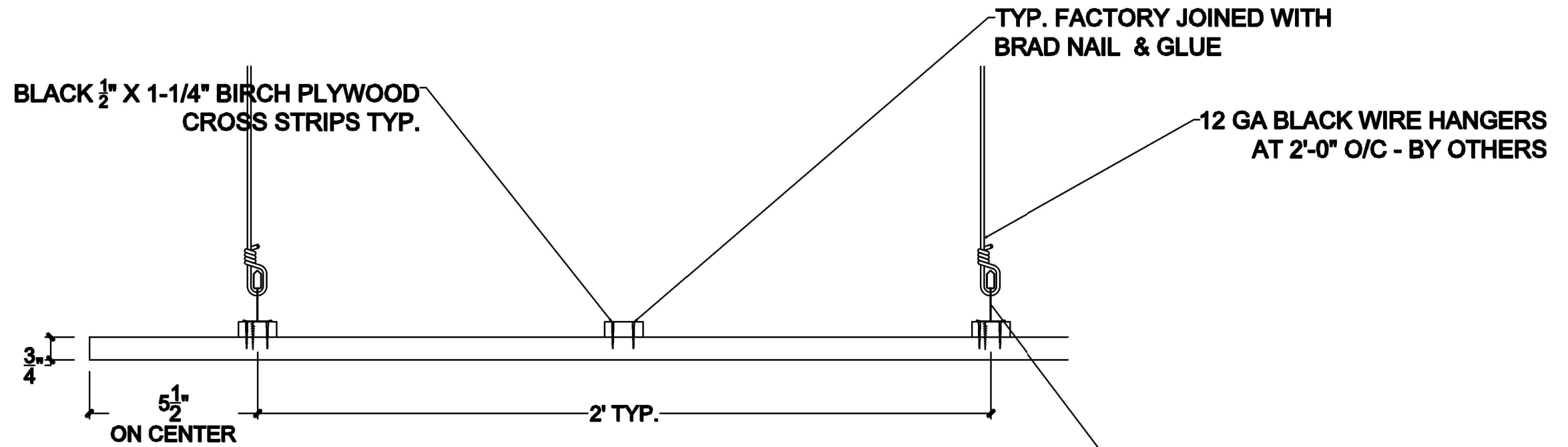
DRAWING TITLE:
MADRID HORIZONTAL GRID PANEL

VARIABLES:
VARIES BLADES

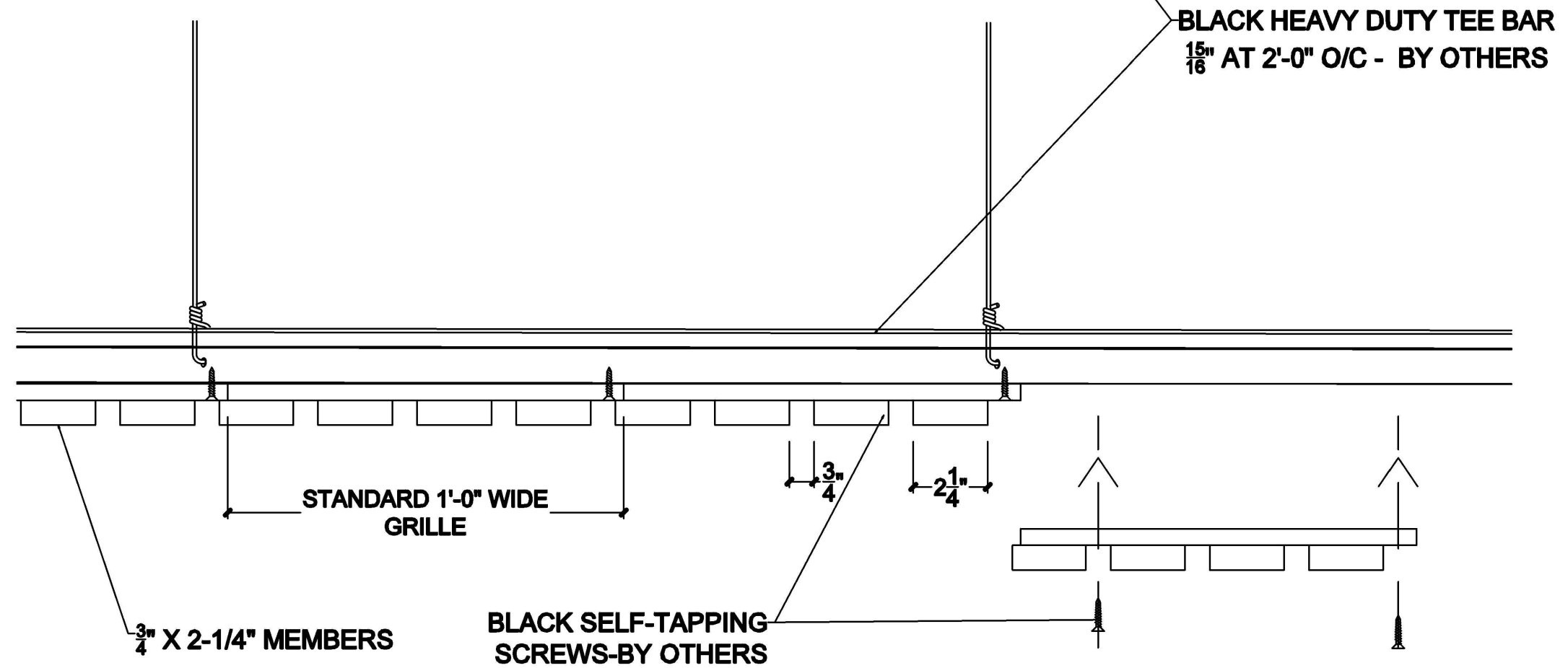
DWG. NO.
2 OF 3

THIS DOCUMENT CONTAINS CONFIDENTIAL AND PROPRIETARY INFORMATION. ALL RECIPIENTS OF THIS DOCUMENT ARE TO PROTECT THE OWNERS DATA FROM USE BY OR TRANSFER TO NON AUTHORIZED PARTIES BY LEGAL MEANS POSSIBLE COPYRIGHT © 2013 CAD DESIGN AND DRAFTING

FRONT ELEVATION



SIDE VIEW



MADRID
 7800 INDUSTRY AVENUE
 PICO RIVERA, CA 90660
 WWW.MADRIDINC.COM

DRAWING TITLE:
 TYP. MADRID LINEAR PANEL INSTALLATION

VARIES MEMBERS/PANELS	PART NO. 3 OF 3
-----------------------	--------------------

THIS DOCUMENT CONTAINS CONFIDENTIAL AND PROPRIETARY INFORMATION.
 ALL RECIPIENTS OF THIS DOCUMENT ARE TO PROTECT THE OWNERS DATA FROM USE BY OR TRANSFER
 TO NON AUTHORIZED PARTIES BY LEGAL MEANS POSSIBLE COPYRIGHT © 2013 CAD DESIGN AND DRAFTING