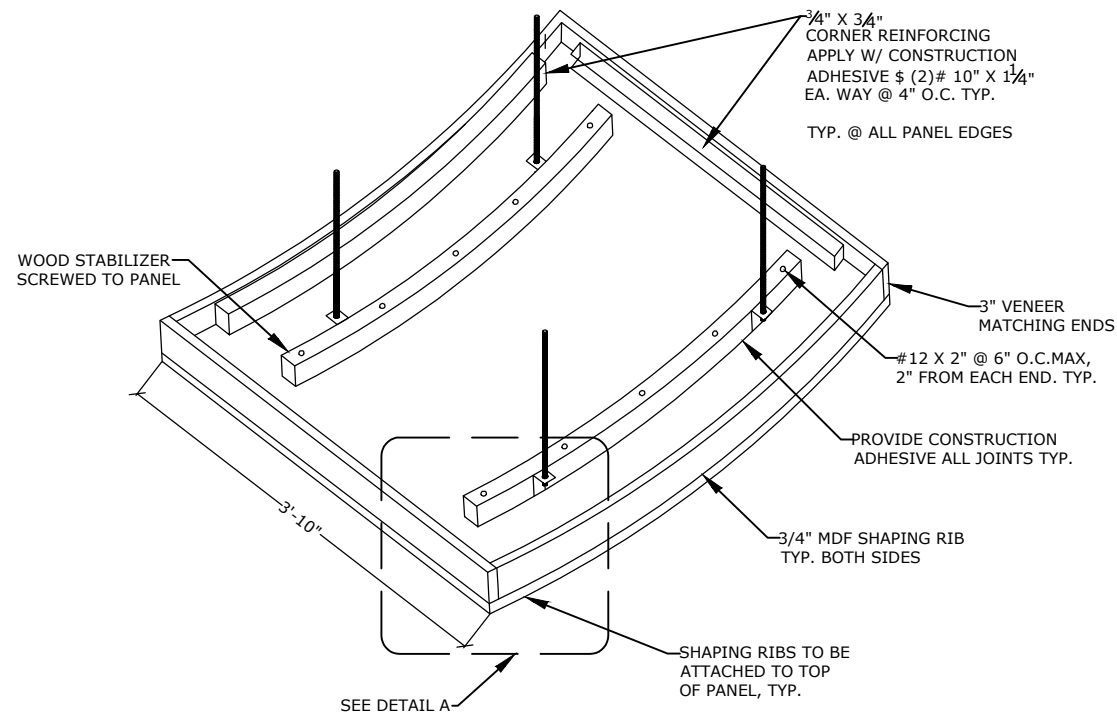
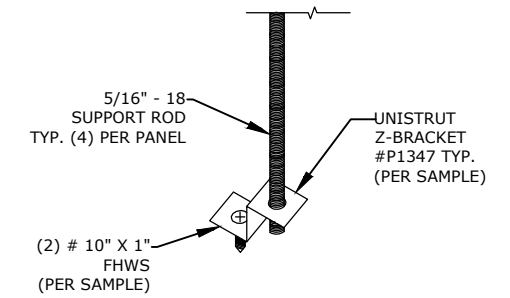


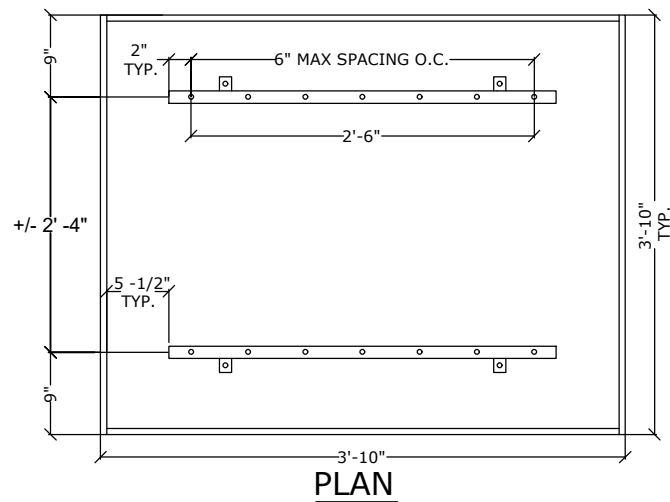
**SIDE ELEVATION**



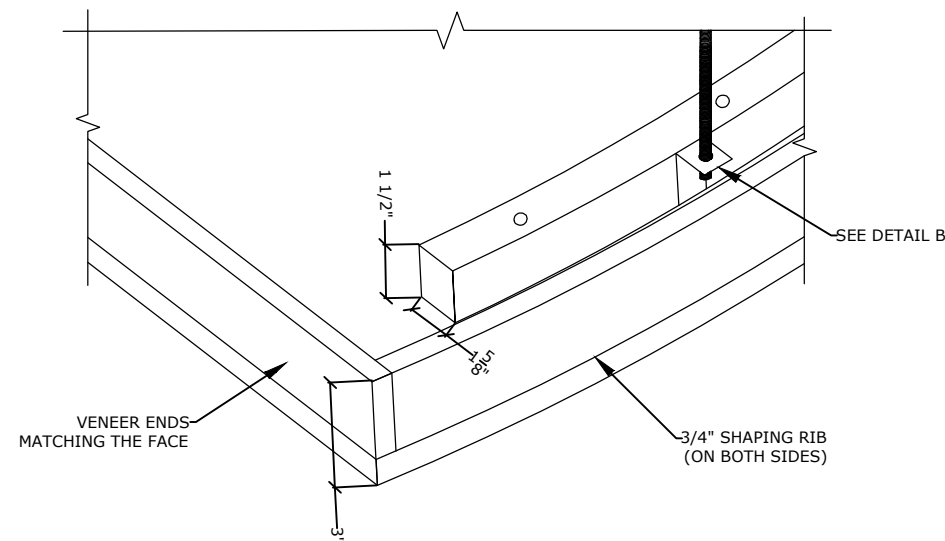
**ISOMETRIC VIEW**



**DETAIL B**



**PLAN**



**DETAIL A**



**MADRID**

7800 INDUSTRY AVENUE  
PICO RIVERA, CA 90660  
WWW.MADRIDINC.COM

DRAWING TITLE: **REFLECTOR**

DWG. NO. **R1**

DATE: **10.23.2017**

THIS DOCUMENT CONTAINS CONFIDENTIAL AND PROPRIETARY INFORMATION.  
ALL RECIPIENTS OF THIS DOCUMENT ARE TO PROTECT THE OWNERS DATA FROM USE BY OR TRANSFER  
TO NON AUTHORIZED PARTIES BY LEGAL MEANS POSSIBLE COPYRIGHT © 2013 CAD DESIGN AND DRAFTING