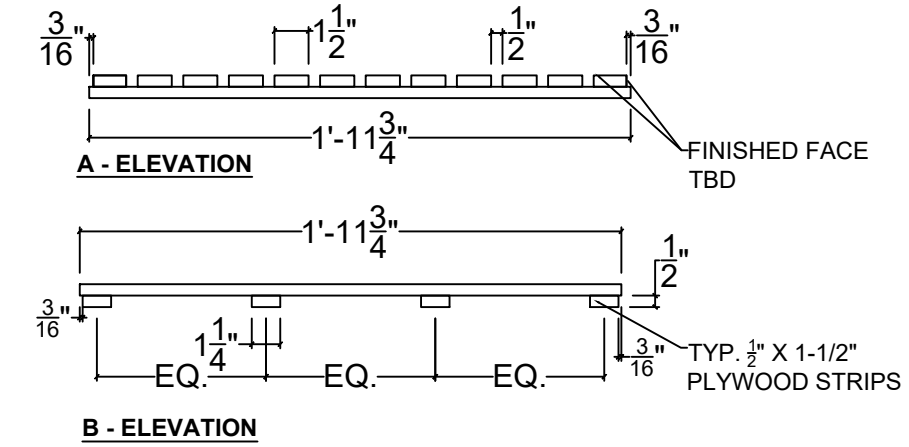


**DETAIL VIEW**

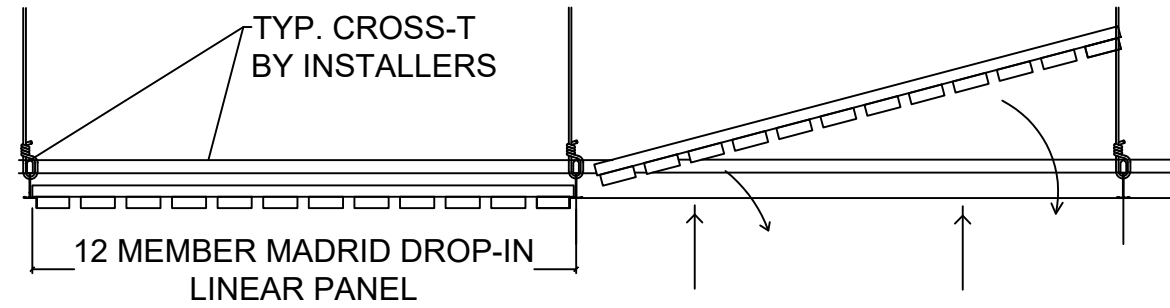


THE 2' X 2' TEGULAR DROP-IN GRILLE PANEL  
AVAILABLE AS:

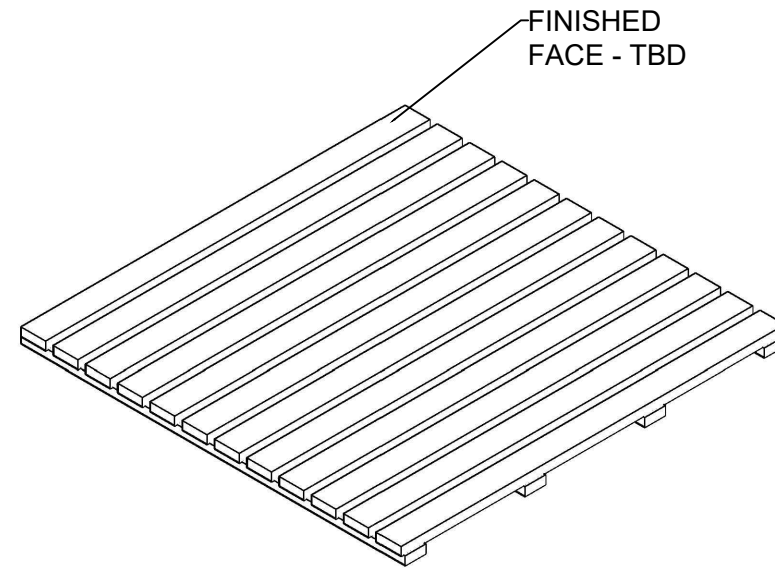
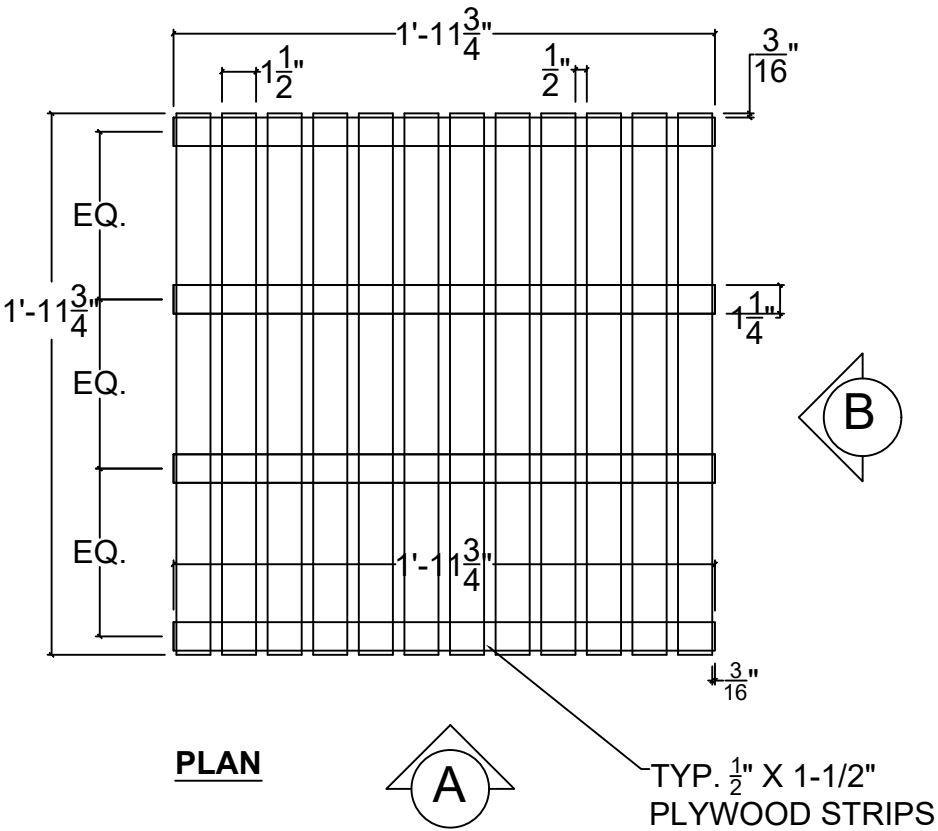
- 8 MEMBER
- 10 MEMBER
- 12 MEMBER

ALSO AVAILABLE AS 9/16" AND 15/16" SUSPENSION SYSTEM

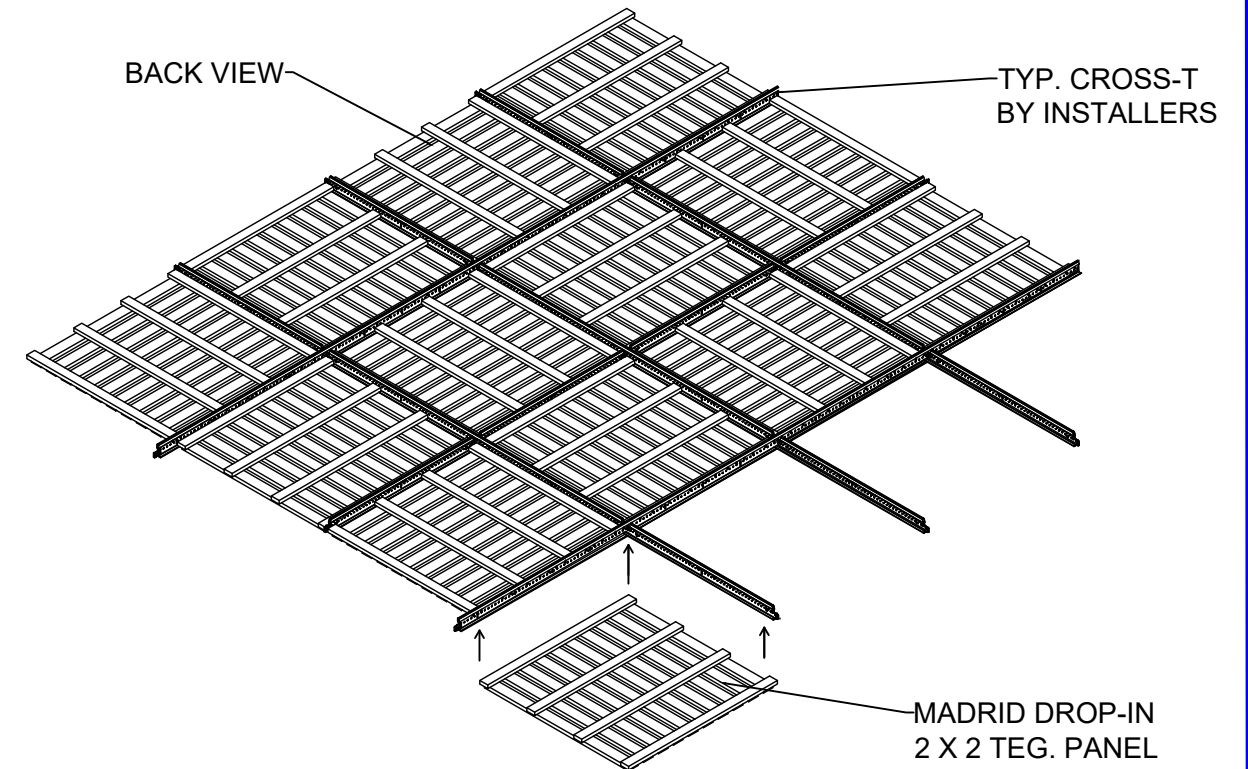
**NOTES**



**TYP. TEGULAR DORP-IN PANEL - INSTLLATION**



**ISOMETRIC VIEW**



**TOP VIEW AT CROSS-T GRID**



**MADRID**

7800 INDUSTRY AVENUE  
PICO RIVERA, CA 90660  
WWW.MADRIDINC.COM

DRAWING TITLE:

LINEAR TEGULAR DROP-IN GRILLE

**12 MEMBER**

DWG. NO.

L-12M

THIS DOCUMENT CONTAINS CONFIDENTIAL AND PROPRIETARY INFORMATION.  
ALL RECIPIENTS OF THIS DOCUMENT ARE TO PROTECT THE OWNERS DATA FROM USE BY OR TRANSFER  
TO NON AUTHORIZED PARTIES BY LEGAL MEANS POSSIBLE COPYRIGHT © 2013 CAD DESIGN AND DRAFTING

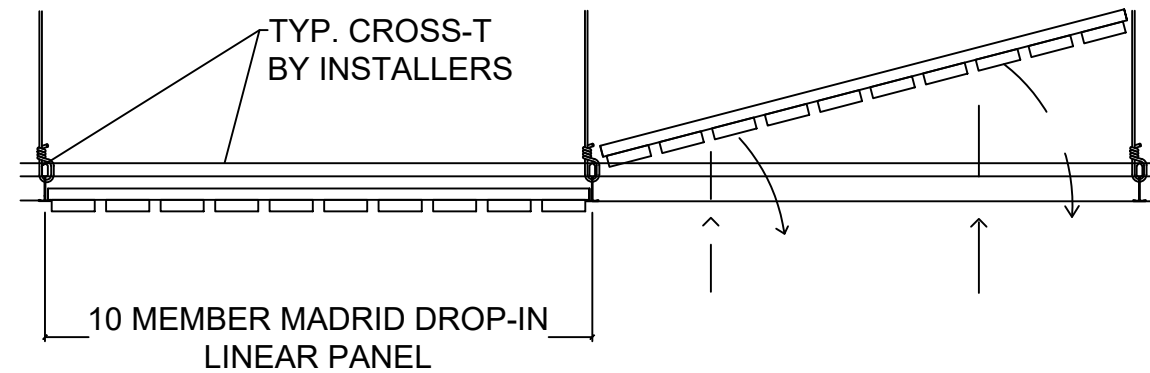
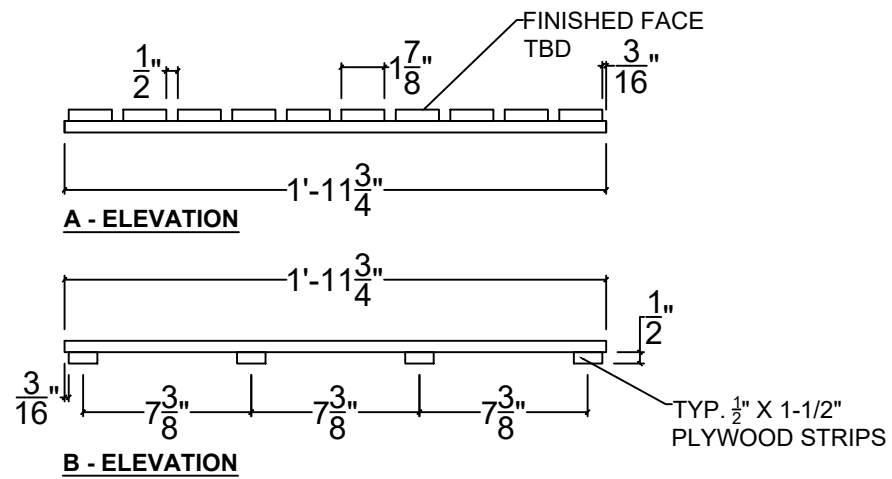
**DETAIL VIEW**

THE 2' X 2' TEGULAR DROP-IN GRILLE PANEL  
AVAILABLE AS:

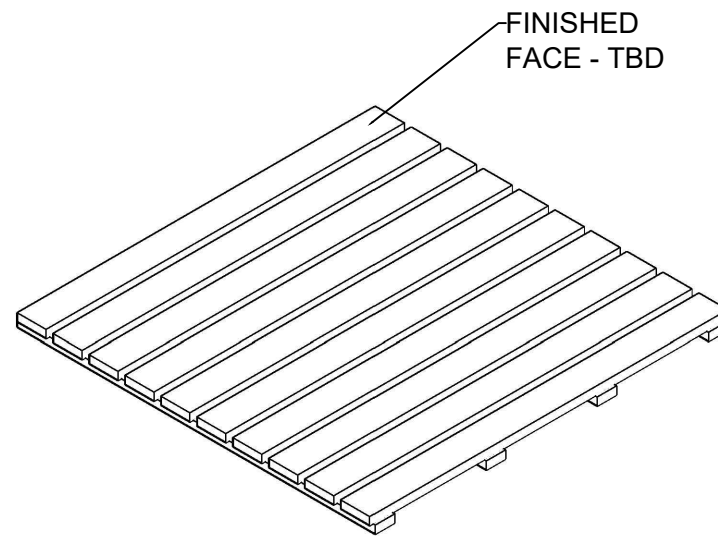
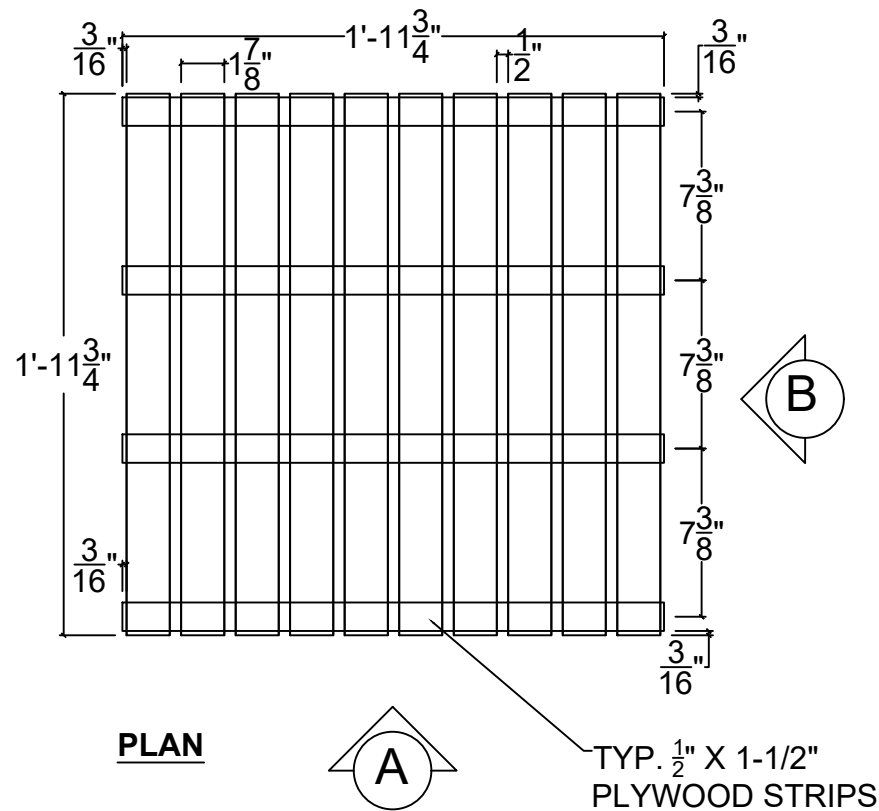
**NOTES**

- 8 MEMBER
- 10 MEMBER
- 12 MEMBER

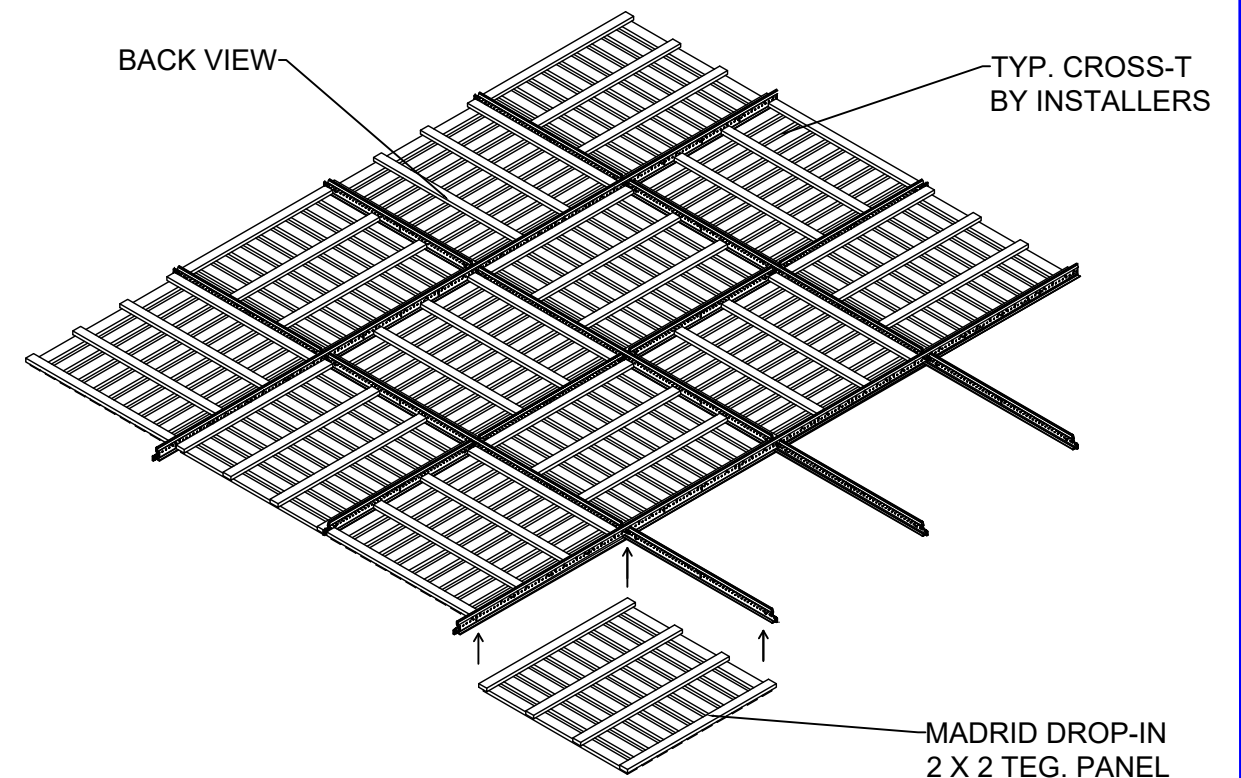
AVAILABLE ALSO AS  $\frac{9}{16}$ " AND  $\frac{15}{16}$ " SUSPENSION SYSTEM



**TYP. TEGULAR DORP-IN PANEL - INSTLLATION**



**ISOMETRIC VIEW**



**TOP VIEW AT CROSS-T GRID**



**MADRID**

7800 INDUSTRY AVENUE  
PICO RIVERA, CA 90660  
WWW.MADRIDINC.COM

DRAWING TITLE:

LINEAR TEGULAR DROP-IN GRILLE

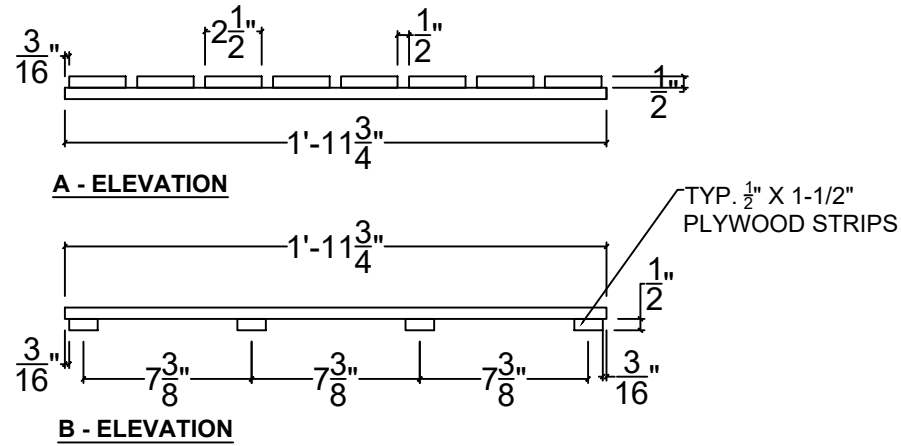
**10 MEMBER**

DWG. NO.

L-10M

THIS DOCUMENT CONTAINS CONFIDENTIAL AND PROPRIETARY INFORMATION.  
ALL RECIPIENTS OF THIS DOCUMENT ARE TO PROTECT THE OWNERS DATA FROM USE BY OR TRANSFER  
TO NON AUTHORIZED PARTIES BY LEGAL MEANS POSSIBLE COPYRIGHT © 2013 CAD DESIGN AND DRAFTING

**DETAIL VIEW**

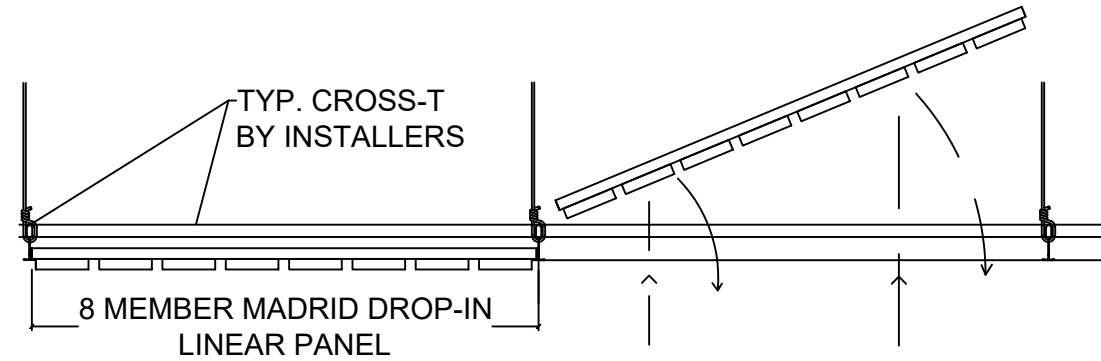


THE 2' X 2' TEGULAR DROP-IN GRILLE PANEL  
AVAILABLE AS:

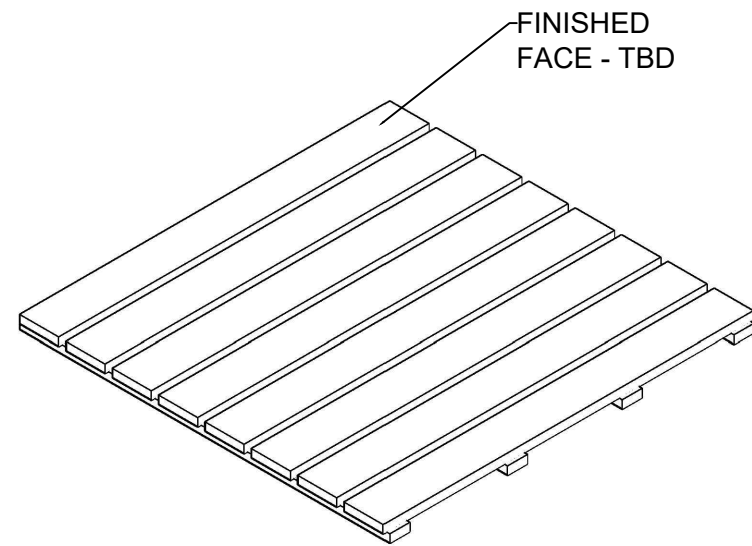
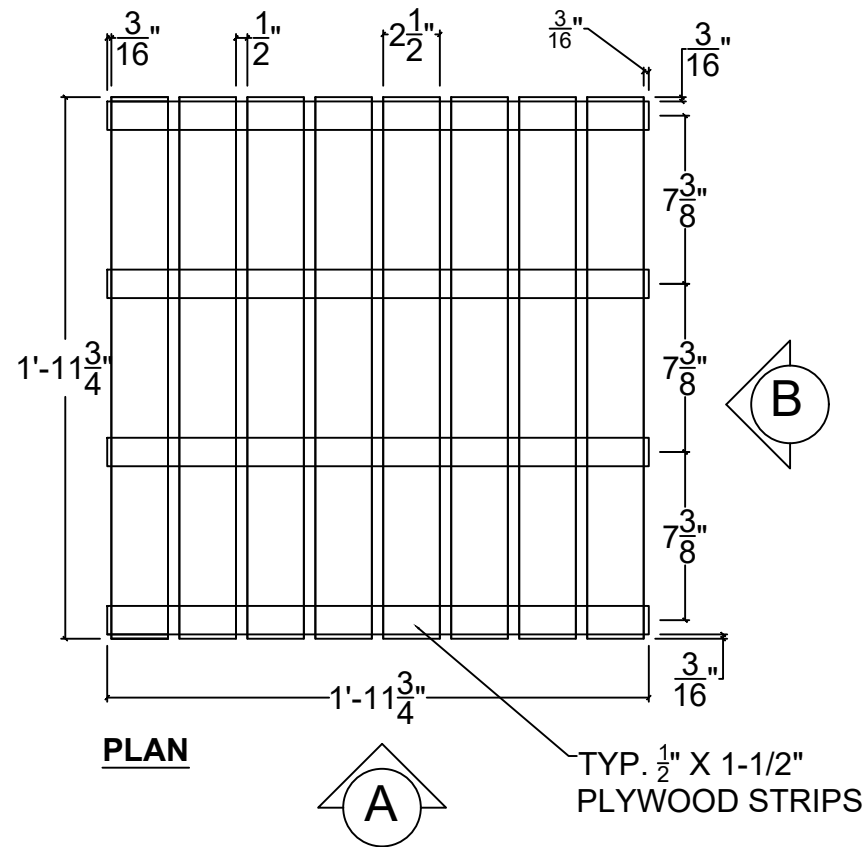
- 8 MEMBER
- 10 MEMBER
- 12 MEMBER

**NOTES**

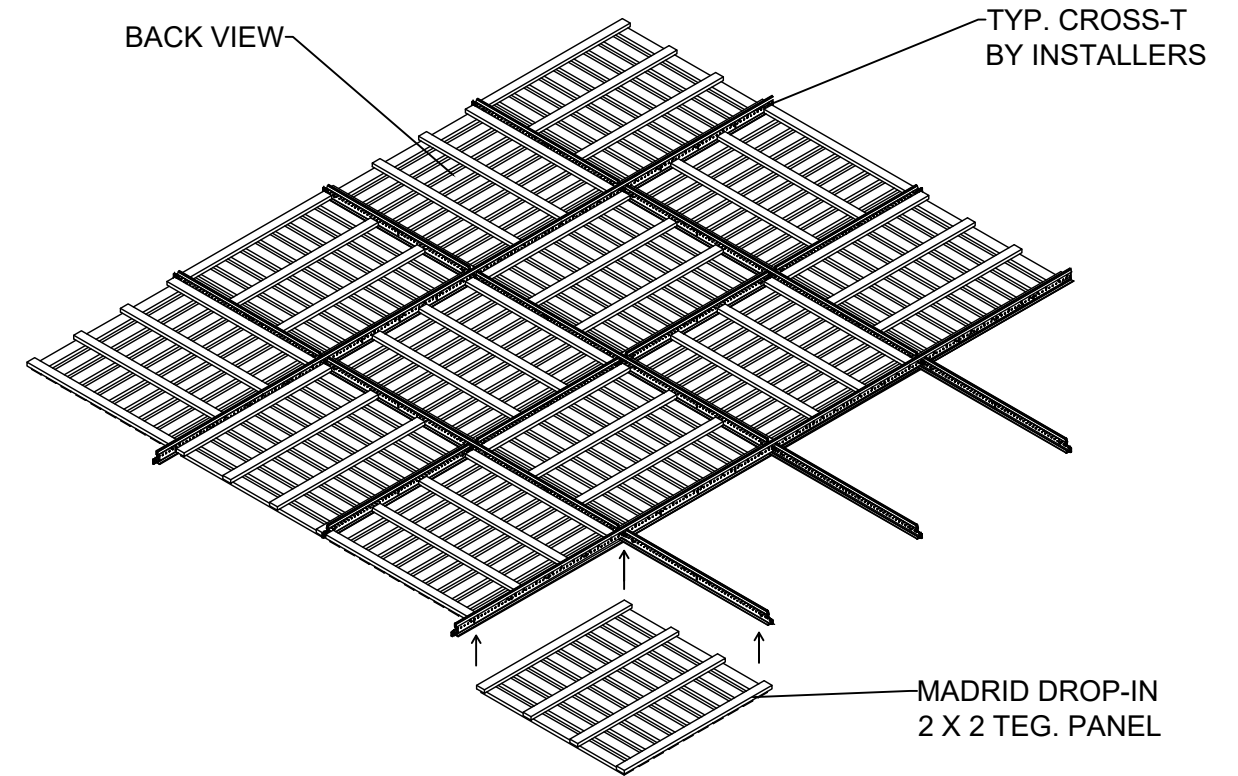
ALSO AVAILABLE AS  $\frac{9}{16}$ " AND  $\frac{15}{16}$ " SUSPENSION SYSTEM



**TYP. TEGULAR DORP-IN PANEL - INSTLLATION**



**ISOMETRIC VIEW**



**TOP VIEW AT CROSS- T GRID**



**MADRID**

7800 INDUSTRY AVENUE  
PICO RIVERA, CA 90660  
WWW.MADRIDINC.COM

DRAWING TITLE:

LINEAR TEGULAR DROP-IN GRILLE

**8 MEMBER**

DWG. NO.

L-8M

THIS DOCUMENT CONTAINS CONFIDENTIAL AND PROPRIETARY INFORMATION.  
ALL RECIPIENTS OF THIS DOCUMENT ARE TO PROTECT THE OWNERS DATA FROM USE BY OR TRANSFER  
TO NON AUTHORIZED PARTIES BY LEGAL MEANS POSSIBLE COPYRIGHT © 2013 CAD DESIGN AND DRAFTING